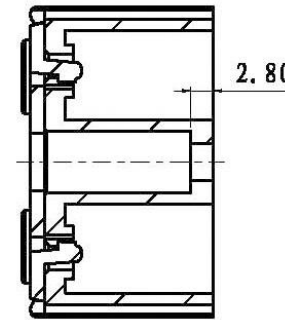
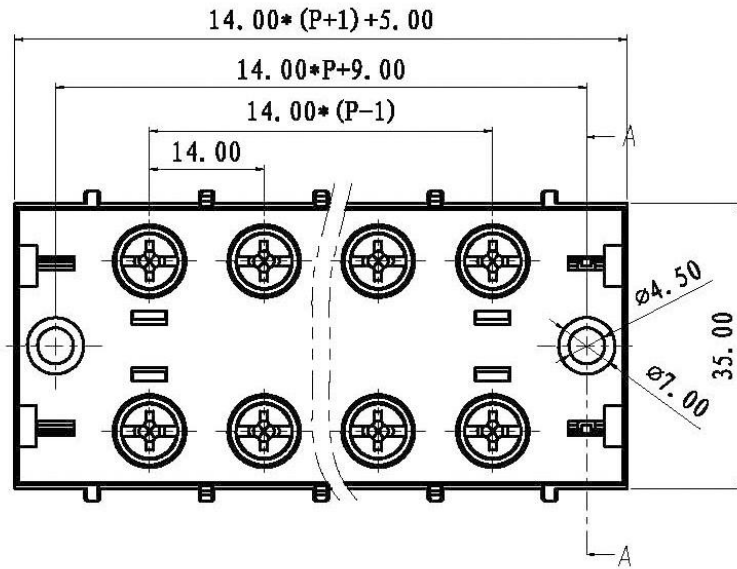
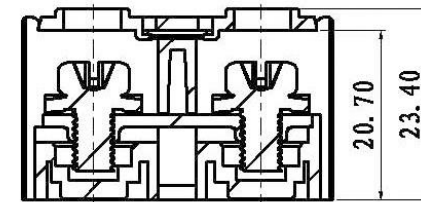
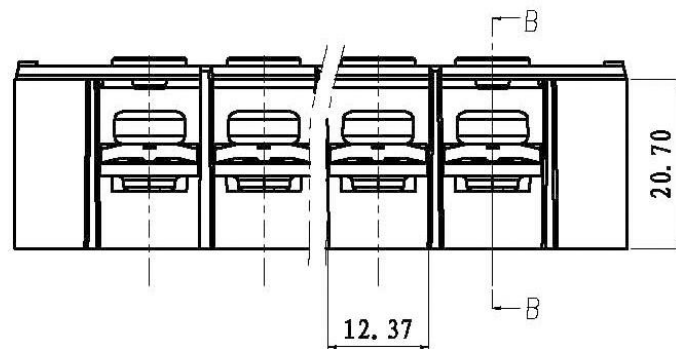


REVISION RECORD			
REV.	CONTENT	MOD.	DATE
▲	初版发行		



SECTION A-A

技术要求:
 额定电压: 600V
 额定电流: 35A
 螺钉类型/扭力: M5/2.0 N.m
 绝缘材料类型: PC
 阻燃等级: V1
 导线截面: 4mm²max



SECTION B-B

NO.	NAME OF PART	NO. OF PART	QTY	MATERIAL	NOTES
4	M5*10-12*12带垫片螺丝	SPFSA501099V	2P	碳钢	镀蓝白锌
3	JH9-30A导电件	6JH9BDD030AV	P	黄铜	镀镍
2	TB1-45XX-A透明盖	6TB1C700450V	1	PC	透明
1	TB1-35XX-A本体	6TB1C700350V	1	PC	黑色

	pitch dimension				Nominal dimension				
variable range	0 to 6	6 to 10	10 to 24	0 to 30	30 to 60	60 to 100	100 to 150		
Tolerance	±0.1	±0.15	±0.25	±0.2	±0.3	±0.5	±0.7	±1.0	0.05/10

NO.	NAME OF PART	NO. OF PART	QTY	MATERIAL	NOTES
DES.	ZSH	DATE	2016/03/10	UNITS	mm
CHK.		DATE		SIZE	A4
APP.		DATE		SCALE	1:1
				DWG NO.	SP-2-6TB35A1
				TITLE	TB1-35XX-A-130-00A
					TB1-35A-成品

上海联捷电气有限公司
 Shanghai Elinker Electric CO., LTD

TITLE

TB1-35XX-A-130-00A
 TB1-35A-成品