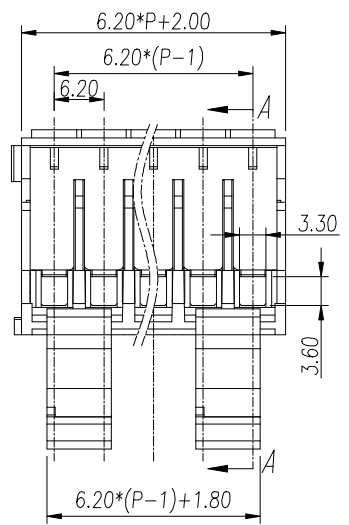
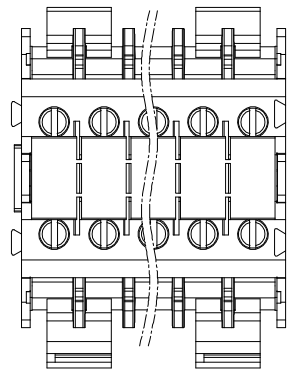


| REVISION RECORD |         |      |      |
|-----------------|---------|------|------|
| REV.            | CONTENT | MOD. | DATE |
| ①               | 初版发行    |      |      |

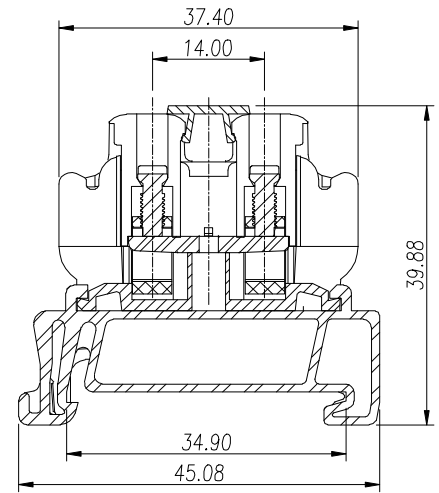


NOTES:

1. Voltage Rating: 800V, Current Rating: 41A
2. PITCH: 6.20mm
3. Insulation Withstands Voltage: AC3500V/min
4. Insulation Resistance: 500MΩ or more at DC1000V
5. Using Temperature Range: -40° C+105° C
6. Suitable Electric Wire: 0.2-4.0mm<sup>2</sup>
7. Screw Torque Value: 0.5 N.m

技术要求:

1. 额定电压: 800V, 额定电流: 41A
2. 间距: 6.20mm
3. 耐电压值: AC 3500V/min
4. 绝缘阻抗500兆欧
5. 使用条件: -40° - +105°
6. 刚柔性导线: 0.2-4.0mm<sup>2</sup>
7. 螺丝扭力: 0.5 N.m



SECTION A-A

|                | pitch dimension |              |               | Nominal dimension |               |                |                 |      | —<br>/  |
|----------------|-----------------|--------------|---------------|-------------------|---------------|----------------|-----------------|------|---------|
|                | over 0 to 6     | over 6 to 10 | over 10 to 24 | over 0 to 30      | over 30 to 60 | over 60 to 100 | over 100 to 150 |      |         |
| variable range | 0 to 6          | 6 to 10      | 10 to 24      | 0 to 30           | 30 to 60      | 60 to 100      | 100 to 150      |      |         |
| Tolerance      | ±0.1            | ±0.15        | ±0.25         | ±0.2              | ±0.3          | ±0.5           | ±0.7            | ±1.0 | 0.05/10 |

| 7   | ZB6标记条       | ZB6标记条       | P/10       |          |                    |
|---|--------------|--------------|------------|----------|--------------------|
| 6   | E/KJ-卡脚      | 6LD11400203V | 2          | PA66-V0  |                    |
| 5   | UK5N-导电片     | 6UK5B00001AV | P          | 黄铜       | 镀锌                 |
| 4   | UK5N-铜方块     | F000000140V  | 2P         | 黄铜       | 镀锌                 |
| 3   | UK2.5B-螺丝    | SSM0300070V  | 2P         | 合金钢      | 镀锌                 |
| 2   | LUK-盖板       | 6LUC0Y0XX3V  | 1          | PA66-V0  |                    |
| 1   | LUK-主体       | 6LUC0Y0XX3V  | 1          | PA66-V0  |                    |
| NO.   | NAME OF PART | NO. OF PART  | Q'TY       | MATERIAL | NOTES              |
| DES.  | WYY          | DATE         | 2020/04/03 | UNITS    | MM                 |
| CHK.  |              | DATE         |            | SIZE     | A4                 |
| APP.  |              | DATE         |            | SCALE    | 1:1                |
|   |              |              |            | DWG NO.  | SP-1-LUK1400       |
|   |              |              |            | REV:     | V0                 |
| <b>上海联捷电气有限公司</b><br>Shanghai Blinker Electric Co., Ltd |              |              |            | TITLE    | LUK1-2.5/XX-YY-01B |
|   |              |              |            |          | LUK1-2.5成品         |