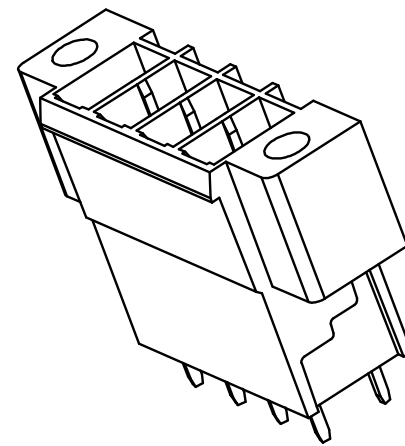
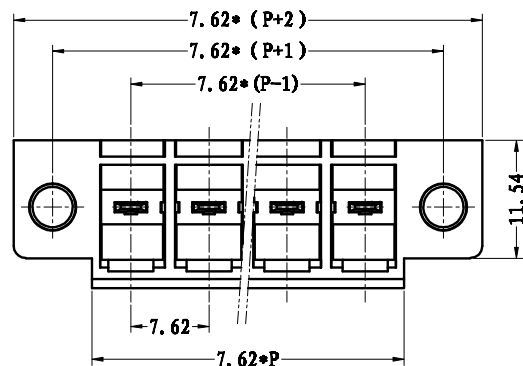


REVISION RECORD			
REV.	CONTENT	MOD.	DATE
0	初版发行		

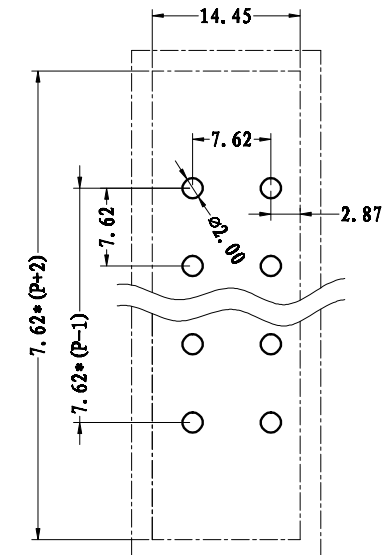
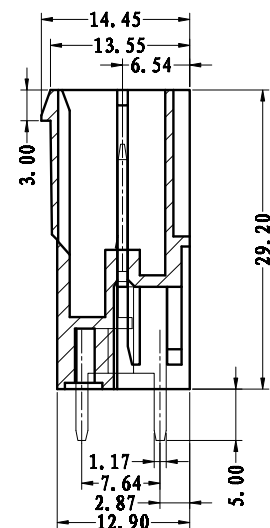
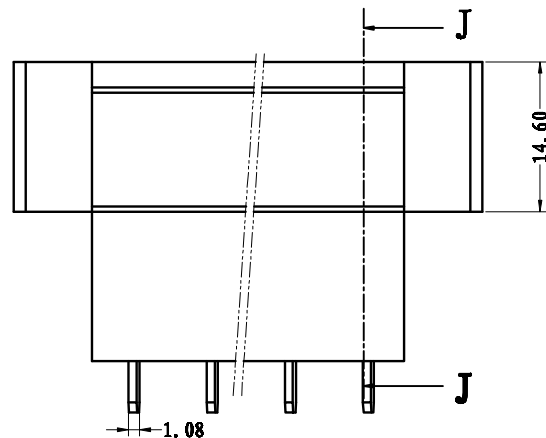


NOTES:

1. Voltage Rating: 380V, Current Rating: 32A
2. PITCH: 7.62mm
3. Insulation Withstands Voltage: AC2500V/min
4. Insulation Resistance: 500MΩ or more at DC500V
5. Using Temperature Range: -40° C ~ +105° C
6. Pole: 2-12P

技术要求:

1. 额定电压: 380V, 额定电流: 32A
2. 间距: 7.62mm
3. 耐电压值: AC2500V/min
4. 绝缘阻抗: 500MΩ/DC500V
5. 使用条件: -40° - +105°
6. 极数: 2-12线



SECTION J-J

	pitch dimension			Nominal dimension					— /
	over 0 to 6	over 6 to 10	over 10 to 24	over 0 to 30	over 30 to 60	over 60 to 100	over 100 to 150	over 150	
variable range	0 to 6	6 to 10	10 to 24	0 to 30	30 to 60	60 to 100	100 to 150	150	0.05/10
Tolerance	±0.1	±0.15	±0.25	±0.2	±0.3	±0.5	±0.7	±1.0	0.05/10

2	LZ1VM-7.62-直针	H1D0080300BV	P	黄铜	镀雾锡
1	LZ1HM-7.62-针套	1008M0YXAV	1	PAG6-V0	
NO.	NAME OF PART	NO. OF PART	Q'TY	MATERIAL	NOTES
DES.	WY	DATE	2018-04-20	UNITS	MM
CHK.		DATE		SIZE	A4
APP.		DATE		SCALE	1:1
				DWG NO.	SP-2-1048002
上海联捷电气有限公司 Shanghai Elinker Electric Co., Ltd.				TITLE	LZ1VM-7.62-XXP-1Y-00A LZ1VM-7.62-成品