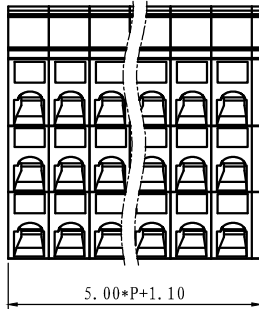
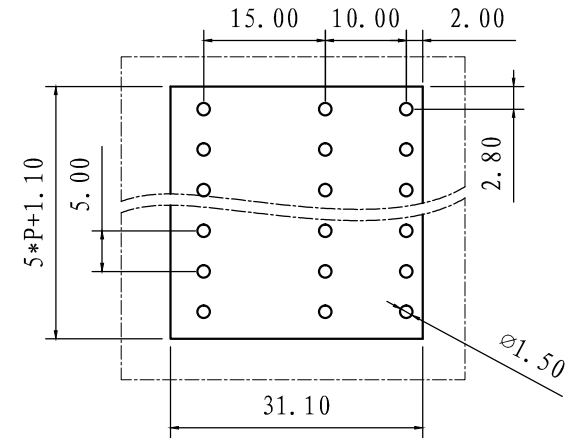
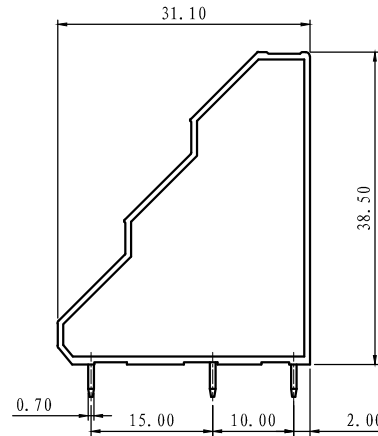
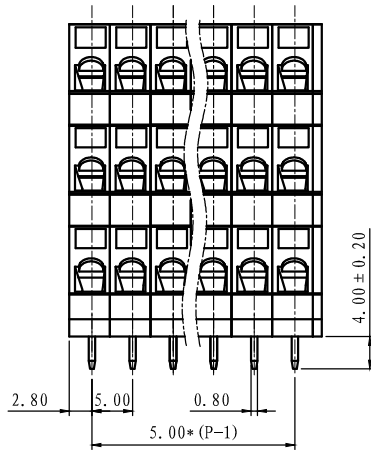


REVISION RECORD			
REV.	CONTENT	MOD.	DATE
△	新发行		



NOTES:
 Pitch : 5.0mm
 Rated Voltage : 300 V
 Rated Current : 17 A
 Withstand Voltage :
 AC2500V for 1 minute
 Insulation Resistance :
 500MΩ / DC500V
 Using Temperature Range :
 -40℃ ~ +105℃
 Wire range :
 Single conductor:24~14 AWG
 stranded conductor: 24~16 AWG

技术要求:
 间距: 5.0mm
 额定电压: 300V
 额定电流: 17A
 耐电压值: AC2500V/min
 绝缘阻抗: 500MΩ/DC500V
 使用条件: -40℃~+105℃
 适用线规: 单股导线24~ 14AWG
 多股导线24~ 16AWG



	pitch dimension			Nominal dimension					— ▱ ⌒
	over 0	over 6	over 10	over 0	over 30	over 60	over 100	over 150	
variable range	to 6	to 10	to 24	to 30	to 60	to 100	to 150		
Tolerance	±0.1	±0.15	±0.25	±0.2	±0.3	±0.5	±0.7	±1.0	0.05/10

7	LS245-3-焊脚	3014B0003AV	P	紫铜	镀雾锡
6	LS245-2-焊脚	3014B0002AV	P	紫铜	镀雾锡
5	LS245-1-焊脚	3014B0001AV	P	紫铜	镀雾锡
4	LS243弹片	F2AODLS243BV	3P	不锈钢	
3	LS245TT-边件	3014A1001AV-1	1	PA66	
2	LS245TT-中间件	3014A1001AV	P-1	PA66	
1	LS245TT-盖板	3014C1001AV	1	PA66	
NO.	NAME OF PART	NO. OF PART	Q'TY	MATERIAL	NOTES
DES.	吴央阳	DATE	2024-1-29	UNITS	mm
CHK.	张华丰	DATE	2024-1-29	SIZE	A4
APP.		DATE		SCALE	1:1
				THIRD ANGLE PROJECTION	SHEET
				DWG NO.	1 of 1
				SP-2-3014001	REV: V0
上海联捷电气有限公司 Shanghai Elinker Electric CO.,LTD				TITLE	LS245TT-5.0-XXP-1Y-00A LS245TT-5.0-成品