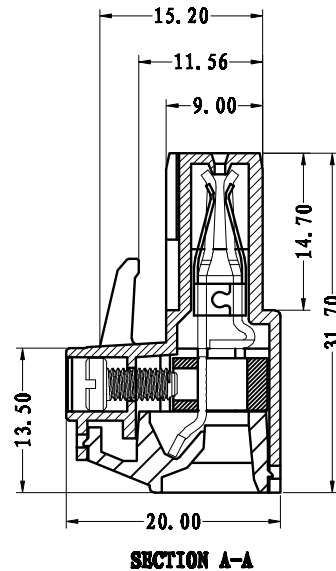
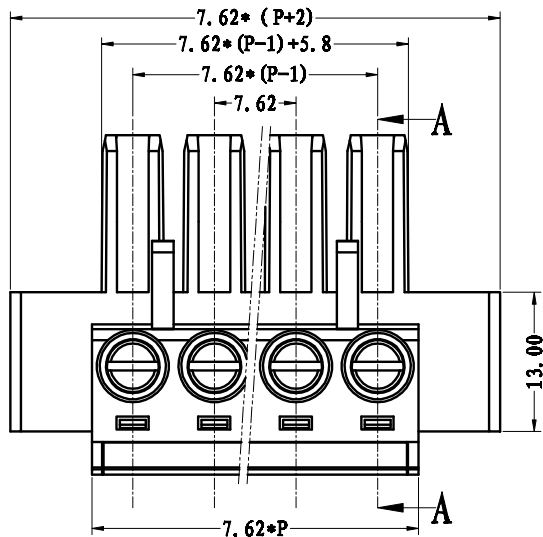
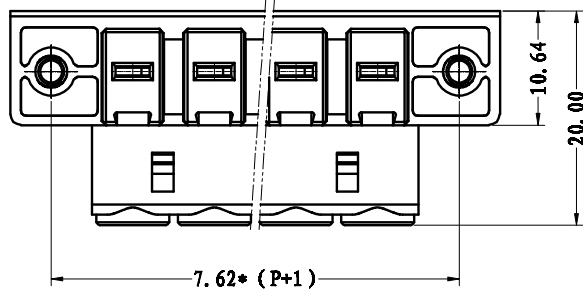


REVISION		RECORD	
REV.	CONTENT	MOD.	DATE
0	初版发行		



**NOTES:**

1. Voltage Rating: 380V, Current Rating: 32A
2. PITCH: 7.62mm
3. Insulation Withstands Voltage: AC2500V/min
4. Insulation Resistance: 500MΩ or more at DC500V
5. Using Temperature Range: -40° C ~ +105° C
6. Suitable Electric Wire: 24-10 AWG
7. Screw Torque Value: 0.5Nm
8. Pole: 2-12P

**技术要求:**

1. 额定电压: 380V, 额定电流: 32A
2. 间距: 7.62mm
3. 耐压值: AC2500V/min
4. 绝缘阻抗: 500MΩ / DC500V
5. 使用条件: -40° - +105°
6. 适用线规: 24-10 AWG
7. 螺丝扭矩: 0.5Nm
8. 极数: 2-12线

7	LC1H-7.62弹片	F2A0DLC1H7BV	P	不锈钢	
6	FBI10-6螺丝	3*13FBI	2	黄铜	镀镍
5	LG635螺丝 (M3*6.6)	SPOFA306601V	P	碳钢	三价铬钝化彩锌
4	UDK4-铜方块	F1C0BLC1H03V	P	黄铜	镀镍
3	LC1H-7.62-夹子	1153B0001AV	P	紫铜	镀镍
2	LC1H-7.62-盖板	1153C0YXXAV	1	PA66-VO	
1	LC1H-7.62-本体	1153M0YXXAV	1	PA66-VO	

NO.	NAME OF PART	NO. OF PART	Q' TY	MATERIAL	NOTES
DES.	WY	DATE	2018-04-20	UNITS	MM
CHK.		DATE		SIZE	A4
APP.		DATE		SCALE	1:1
				DWG NO.	SP-2-1048002

<b>上海联捷电气有限公司</b> Shanghai Elinker Electric CO., LTD	TITLE	LC1H-7.62-XP-1Y-00A
		LC1H-7.62-成品

	pitch dimension			Nominal dimension					— ◇ ○
	over 0	over 6	over 10	over 0	over 30	over 60	over 100	over 150	
variable range	to 6	to 10	to 24	to 30	to 60	to 100	to 150		
Tolerance	±0.1	±0.15	±0.25	±0.2	±0.3	±0.5	±0.7	±1.0	0.05/10