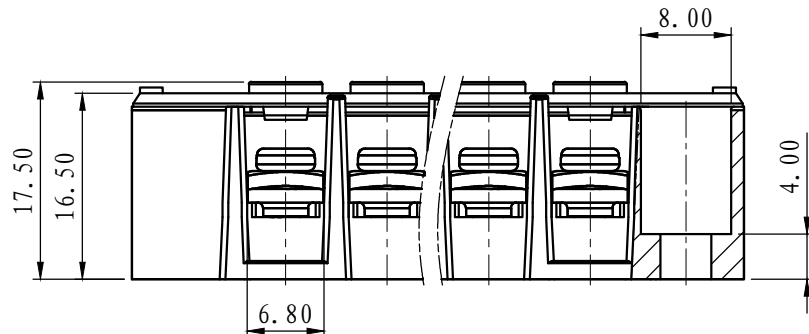
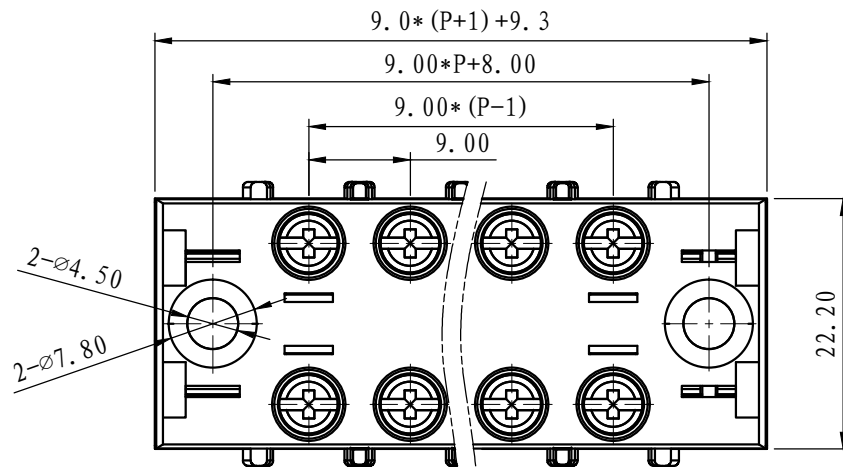
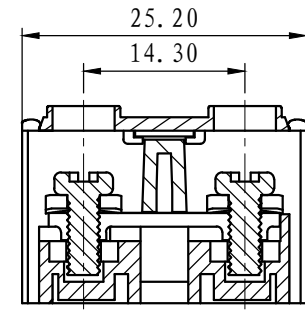


REVISION RECORD			
REV.	CONTENT	MOD.	DATE
△			



NOTES:
 Pitch : 9.0mm
 Rated Voltage : 600V
 Rated Current : 15A
 Withstand Voltage :
 AC3000V for 1 minute
 Insulation Resistance :
 1000MΩ / DC1000V
 Using Temperature Range :
 -40℃ ~ +105℃
 Suitable Electric Wire : 22-16 AWG
 Screw Torque Value : M3/0.5Nm

技术要求:
 间距: 9.0mm
 额定电压: 600V
 额定电流: 15A
 耐电压值: AC3000V/min
 绝缘阻抗: 1000MΩ/DC1000V
 使用条件: -40℃~+105℃
 适用线规: 22-16 AWG
 螺丝扭矩: M3/0.5Nm



5	TB1-15A-白条		1	A4腹膜纸	
4	M3*8-6*6	SQFFA308024V	2P	碳钢	镀蓝白锌
3	TB1-15A-导电件	6TB1BDD015AV	P	黄铜	镀镍
2	TB1-15XX-A盖板	6TB1COY1XX0V	1	PC	
1	TB1-15XX-A本体	6TB1EOY1XX0V	1	PC	

NO.	NAME OF PART	NO. OF PART	QTY	MATERIAL	NOTES
DES.	LDD	DATE	2012/07/03	UNITS	mm
CHK.		DATE		SIZE	A4
APP.		DATE		SCALE	

上海联捷电气有限公司 Shanghai Elinker Electric CO., LTD	TITLE	TB1-15XX-A-1Y-00A
		TB1-15XX-A-成品

	pitch dimension			Nominal dimension					— /
	over 0	over 6	over 10	over 0	over 30	over 60	over 100	over 150	
variable range	to 6	to 10	to 24	to 30	to 60	to 100	to 150	0.05/10	
Tolerance	±0.1	±0.15	±0.25	±0.2	±0.3	±0.5	±0.7	±1.0	