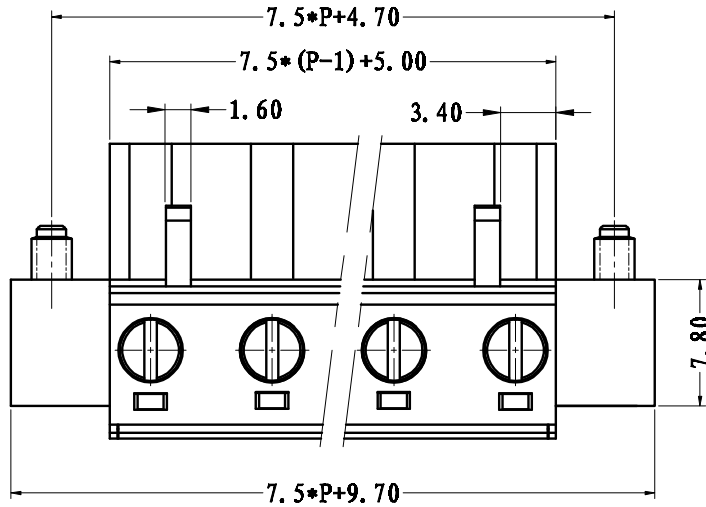
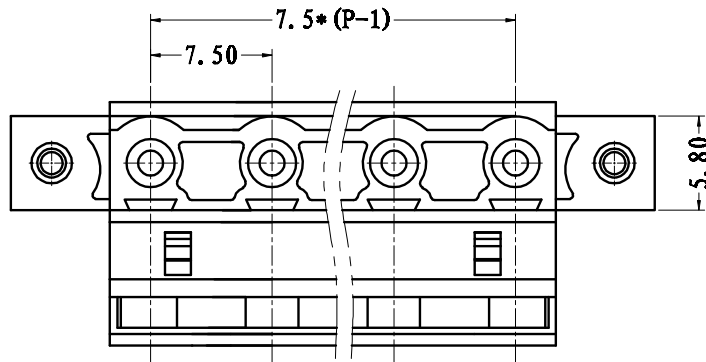


REVISION RECORD

REV.	CONTENT	MOD.	DATE
△	初版发行		

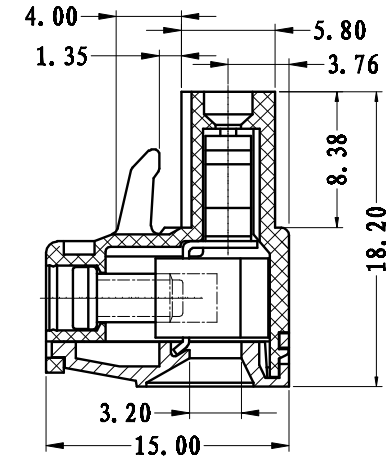


NOTES:

Pitch : 7.5mm
 Rated Voltage : 400V
 Rated Current : 20 A
 Withstand Voltage :
 AC2500V for 1 minute
 Insulation Resistance :
 500MΩ / DC500V
 Using Temperature Range :
 -40℃ ~ +105℃
 Wire range : 28~12 AWG
 Screw Torque Value : 0.5Nm

技术要求:

间距: 7.5mm
 额定电压: 400V
 额定电流: 20A
 耐电压值: AC2500V/min
 绝缘阻抗: 500MΩ/DC500V
 使用条件: -40℃~+105℃
 适用线规: 28~12AWG
 螺丝扭矩: 0.5Nm



6	LC1-耳朵螺丝	SPOYA255301Y	2	碳钢	三价铬钝化彩锌
5	LC1-5.08-夹子	1001B0001AV	P	磷青铜	镀镍
4	LC1-5.08-螺丝	SPOYA305301Y	P	碳钢	三价铬钝化彩锌
3	LC1-5.08-铜方块	F1A0BLC5083V	P	黄铜	镀镍
2	LC1-7.5-盖板	1124COVXXAV	1	PA66	
1	LC1M-7.5-主体	1124M0VXXAV	1	PA66	

NO.	NAME OF PART	NO. OF PART	Q'TY	MATERIAL	NOTES
DES.	XJM	DATE	2012/2/27	UNITS	mm
CHK.		DATE		SIZE	A4
APP.		DATE		SCALE	1:1

上海联捷电气有限公司 Shanghai Elinker Electric CO.,LTD				TITLE	LC1M-7.5-XXP-1Y-00A LC1M-7.5-成品
---	--	--	--	-------	------------------------------------

	pitch dimension			Nominal dimension					— /
	over 0 to 6	over 6 to 10	over 10 to 24	over 0 to 30	over 30 to 60	over 60 to 100	over 100 to 150	0.05/10	
variable range	0 to 6	6 to 10	10 to 24	0 to 30	30 to 60	60 to 100	100 to 150	0.05/10	
Tolerance	±0.1	±0.15	±0.25	±0.2	±0.3	±0.5	±0.7	±1.0	

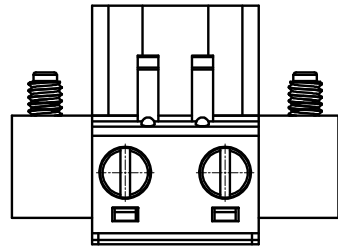
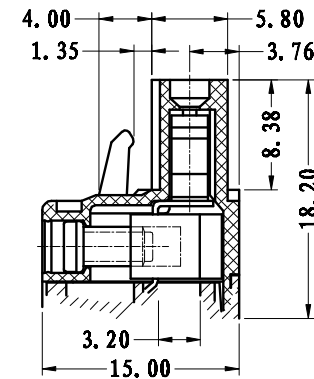
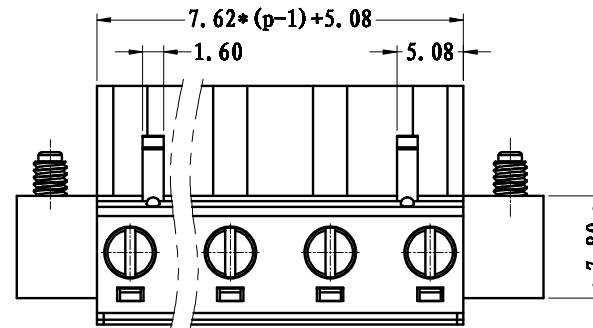
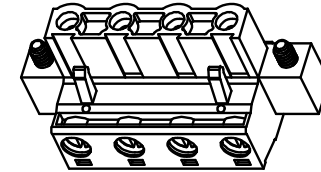
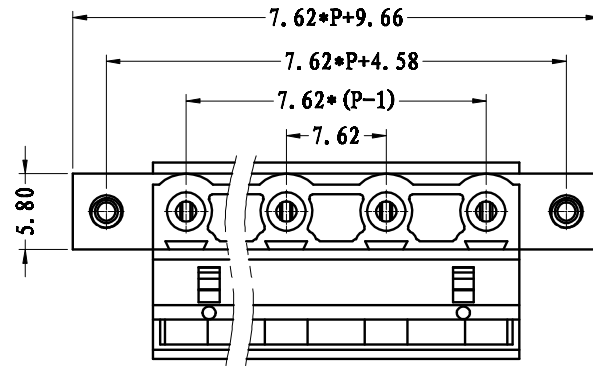
REVISION RECORD			
REV.	CONTENT	MOD.	DATE
△0	初版发行		

NOTES:

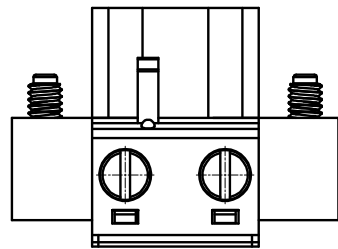
1. Voltage Rating: 400V, Current Rating: 20A
2. PITCH: 7.62mm
3. Insulation Withstands Voltage: AC2500V/min
4. Insulation Resistance: 500MΩ or more at DC500V
5. Using Temperature Range: -40° C - +105° C
6. Suitable Electric Wire: 20-12AWG
7. Screw Torque Value: 0.5N.m

技术要求:

1. 额定电压: 400V, 额定电流: 20A
2. 间距: 7.62mm
3. 绝缘耐压值: AC 2500V/min
4. 绝缘电阻值: 500兆欧
5. 使用条件: -40° - +105°
6. 适用线径: 20-12AWG
7. 紧固扭力: 0.5N.m



2P双端子



2P单端子

6.	LC1-耳朵螺丝	SP07A2553017
5.	LC1-5.08-夹子	1001B0001A7
4.		F1A08LCS003

	pitch dimension			Nominal dimension					—
	over 0	over 6	over 10	over 0	over 30	over 60	over 100	over 150	
variable range	to 6	to 10	to 24	to 30	to 60	to 100	to 150		□
tolerance	±0.1	±0.15	±0.25	±0.2	±0.3	±0.5	±0.7	±1.0	0.05/10