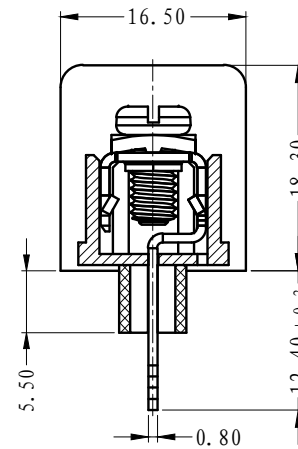
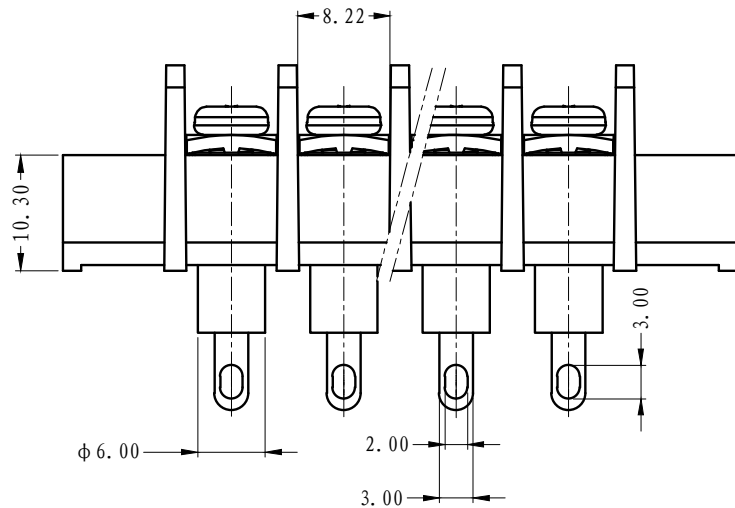
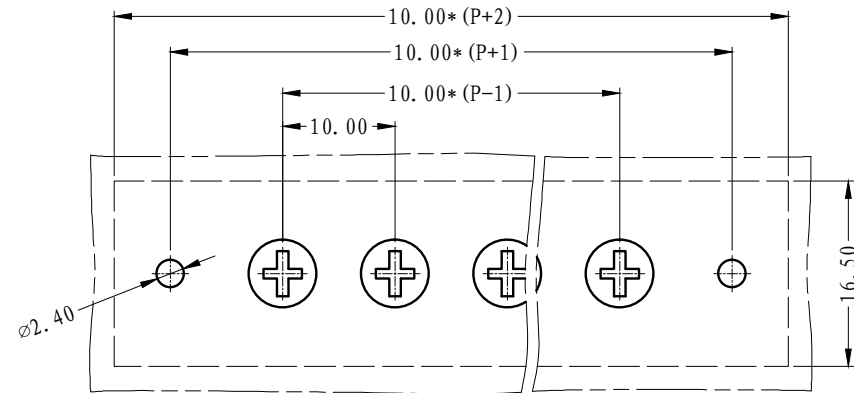
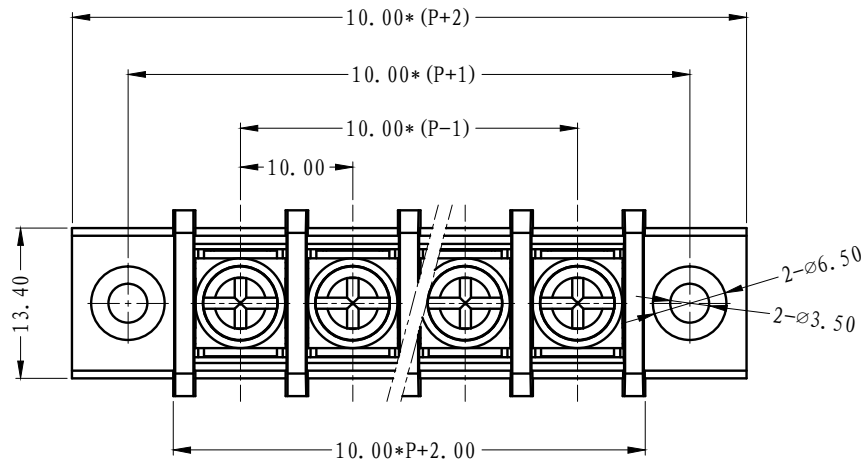


REVISION RECORD			
REV.	CONTENT	MOD.	DATE
△	初版发行		



NOTES:

Pitch : 10.0mm  
 Rated Voltage : 300V  
 Rated Current : 20 A  
 Withstand Voltage :  
 AC2500V for 1 minute  
 Insulation Resistance :  
 1000MΩ / DC500V  
 Using Temperature Range :  
 -40℃ ~ +130℃  
 Wire range : 22~12 AWG  
 Screw Torque Value : 1.2Nm

技术要求:

间距: 10.0mm  
 额定电压: 300V  
 额定电流: 20A  
 耐电压值: AC2500V/min  
 绝缘阻抗: 1000MΩ / DC500V  
 使用条件: -40℃~+130℃  
 适用线规: 22~12 AWG  
 螺丝扭矩: 1.2Nm

	pitch dimension			Nominal dimension					— /
	over 0	over 6	over 10	over 0	over 30	over 60	over 100	over 150	
variable range	to 6	to 10	to 24	to 30	to 60	to 100	to 150		□ ○
Tolerance	±0.1	±0.15	±0.25	±0.2	±0.3	±0.5	±0.7	±1.0	0.05/10

4	LW-圆柱	5034A0Y01AV	P	PA66	
3	M4*8-7.5*7.5	SQFFA408043V	P	碳钢	三价铬钝化彩锌
2	LW1Q-9.5-焊脚	5002B0003AV	P	黄铜	镀雾锡
1	LW1M-10.0-本体	5009M0YXXAV	1	PBT	
NO.	NAME OF PART	NO. OF PART	Q' TY	MATERIAL	NOTES
DES.	ZGC	DATE 2021/02/24	UNITS	MM	THIRD ANGLE PROJECTION SHEET
CHK.		DATE	SIZE	A4	1 of 1
APP.		DATE	SCALE	1:1	DWG NO. SP-2-5009022 REV: V0
 <b>上海联捷电气有限公司</b> Shanghai Elinker Electric CO.,LTD				TITLE	LW1MQJ-10.0-XXP-1Y-00A LW1MQJ-10.0-成品