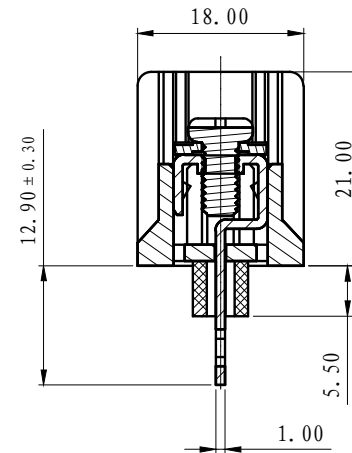
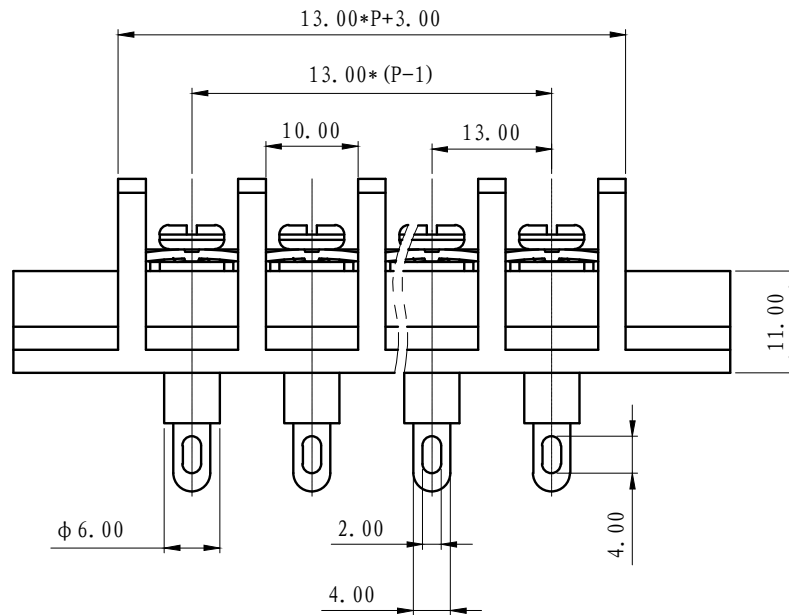
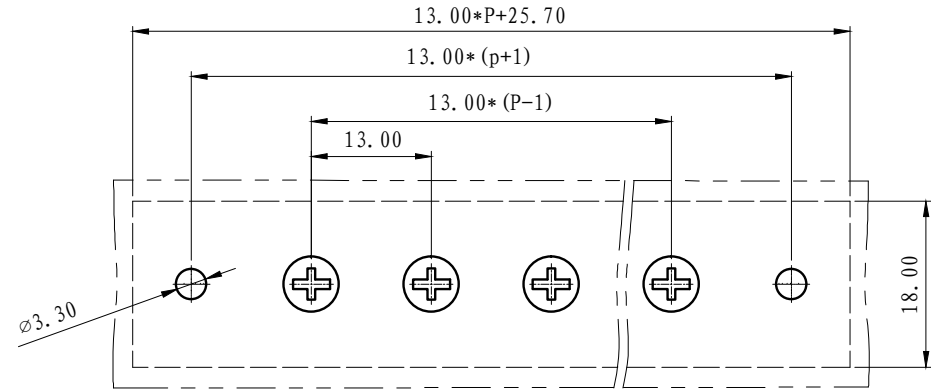
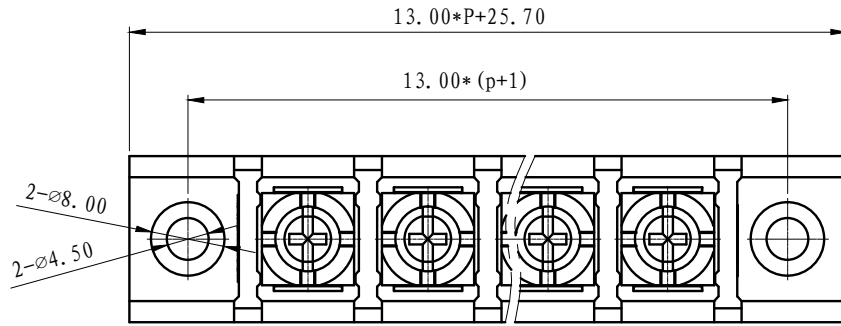


REVISION RECORD			
REV.	CONTENT	MOD.	DATE
△	初版发行		



NOTES:

Pitch : 13.0mm
 Rated Voltage : 600V
 Rated Current : 40 A
 Withstand Voltage :
 AC3000V for 1 minute
 Insulation Resistance :
 1000MΩ / DC1000V
 Using Temperature Range :
 -40℃ ~ +130℃
 Wire range : 18~10 AWG
 Screw Torque Value : 1.2Nm

技术要求:

间距: 13.0mm
 额定电压: 600V
 额定电流: 40A
 耐电压值: AC3000V/min
 绝缘阻抗: 1000MΩ/DC1000V
 使用条件: -40℃~+130℃
 适用线规: 18~10 AWG
 螺丝扭矩: 1.2Nm

	pitch dimension			Nominal dimension					—
	over 0	over 6	over 10	over 0	over 30	over 60	over 100	over 150	
variable range	to 6	to 10	to 24	to 30	to 60	to 100	to 150		□
Tolerance	±0.1	±0.15	±0.25	±0.2	±0.3	±0.5	±0.7	±1.0	0.05/10

4	LW-圆柱	5034A0Y01AV	P	PA66	
3	LW1Q-13.0-焊脚	5020B0003AV	P	黄铜	镀雾锡
2	M4*8-10*10	SQFFA408073V	P	碳钢	三价铬钝化彩锌
1	LW1M-13.0-主体	5020M0YXXAV	1	PBT	
NO.	NAME OF PART	NO. OF PART	Q'TY	MATERIAL	NOTES
DES.	ZGC	DATE	2021/02/24	UNITS	mm
CHK.		DATE		SIZE	A4
APP.		DATE		SCALE	1:1
				DWG NO.	SP-2-5020022
				REV:	V0
				TITLE	LW1MQJ-13.0-XXP-1Y-00A
					LW1MQJ-13.0-成品



上海联捷电气有限公司
 Shanghai Elinker Electric CO.,LTD