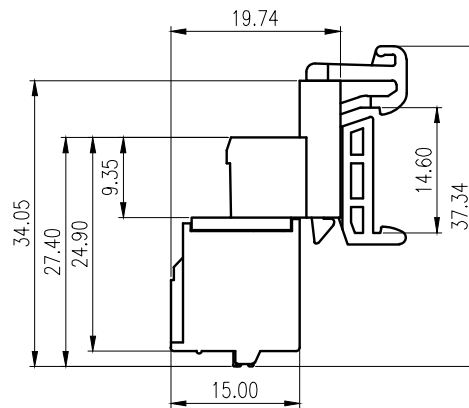
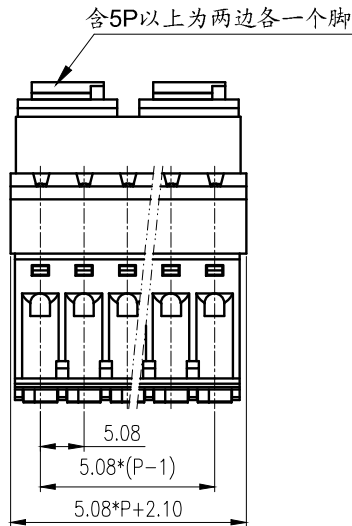
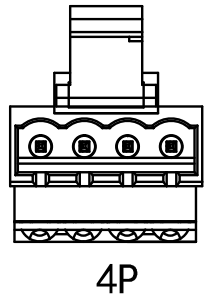
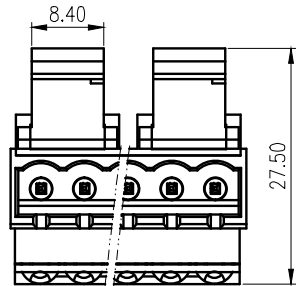
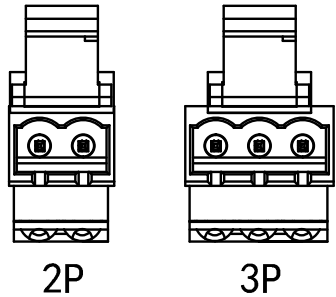


| REVISION RECORD | | | |
|-----------------|---------|------|------|
| REV. | CONTENT | MOD. | DATE |
| ① | 初版发行 | | |



NOTES1:
 UL Standard:
 1.Voltage Rating: 300V, Current Rating: 10A
 2.Suitable Electric Wire: 26-12AWG
 IEC Standard:
 1.Voltage Rating: 400V, Current Rating: 15A
 2.Suitable Electric Wire: 24-12AWG
 NOTES2:
 1.Pitch : 5.08mm
 2.Withstand Voltage : AC2500V for 1 minute
 3.Insulation Resistance : 500MΩ / DC500V
 4.Using Temperature Range : - 40℃ ~ + 105℃

技术要求1:
 UL 标准:
 1. 额定电压: 300V, 额定电流: 10A
 2. 适用线规: 26~12AWG
 IEC 标准:
 1. 额定电压: 400V, 额定电流: 15A
 2. 适用线规: 24~12AWG
 技术要求2:
 1. 间距: 5.08mm
 2. 耐电压值: AC2500V/min
 3. 绝缘阻抗: 500MΩ/DC500V
 4. 使用条件: -40℃~+105℃

| | pitch dimension | | | Nominal dimension | | | | | — / |
|----------------|-----------------|--------|---------|-------------------|---------|---------|----------|----------|---------|
| | over 0 | over 6 | over 10 | over 0 | over 30 | over 60 | over 100 | over 150 | |
| variable range | to 6 | to 10 | to 24 | to 30 | to 60 | to 100 | to 150 | | |
| Tolerance | ±0.1 | ±0.15 | ±0.25 | ±0.2 | ±0.3 | ±0.5 | ±0.7 | ±1.0 | 0.05/10 |

| 6 | LC15-脚 | 1067T0Y00AV | 1-2 | PA66-V0 | |
|--|---------------|--------------|------------|----------|-----------------------|
| 5 | LC60-5.08五金件 | 2083B0001AV | P | 磷青铜 | 镀亮锡 |
| 4 | LC6-5.08-弹片 | F2A0DLC658BV | p | 不锈钢 | |
| 3 | LC6-5.08-按钮 | 1020D0Y01AV | P | POM | |
| 2 | LC26U-5.08-盖板 | 2085A0YXXAV | 1 | PA66-V0 | |
| 1 | LC6-5.08-本体 | 1020A0YXXAV | 1 | PA66-V0 | |
| NO. | NAME OF PART | NO. OF PART | Q'TY | MATERIAL | NOTES |
| DES. | WY | DATE | 2021/07/12 | UNITS | MM |
| CHK. | | DATE | | SIZE | A4 |
| APP. | | DATE | | SCALE | 1:1 |
| | | | | DWG NO. | SP-2-208501 |
| | | | | REV: | V0 |
| 上海联捷电气有限公司 Shanghai Elinker Electric Co., LTD | | | | TITLE | LC25U-5.08-XXP-1Y-00A |
| | | | | | LC25U-5.08-成品 |