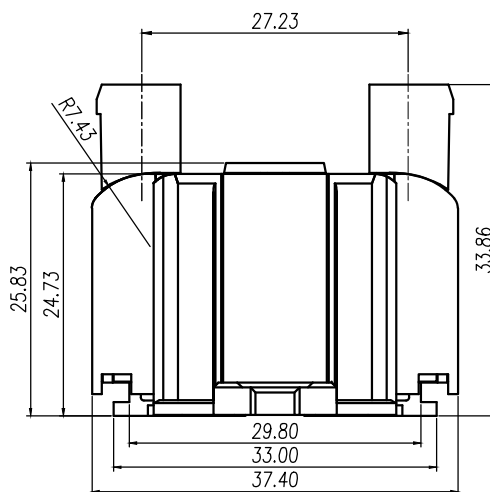
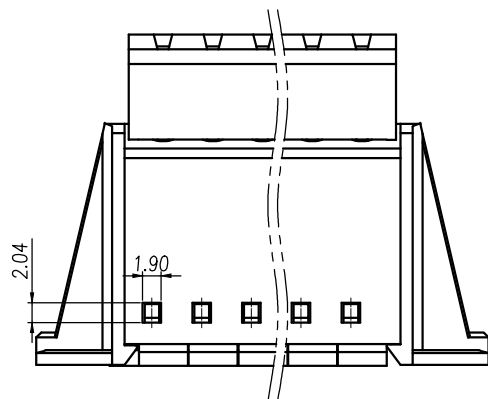
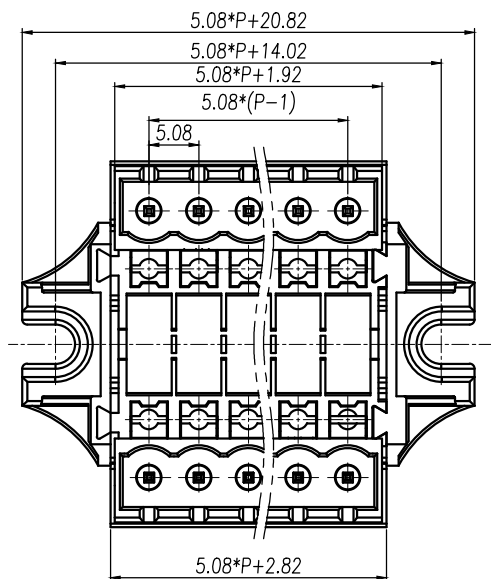


REVISION		RECORD	
REV.	CONTENT	MOD.	DATE
△	初版发行		



NOTES:

Pitch : 5.08mm
 Rated Voltage : 300V
 Rated Current : 15A
 Withstand Voltage :
 AC2500V for 1 minute
 Insulation Resistance :
 500MΩ / DC500V
 Using Temperature Range :
 - 40℃ ~ + 105℃

技术要求:

间距: 5.08mm
 额定电压: 300V
 额定电流: 15A
 耐电压值: AC2500V/min
 绝缘阻抗: 500MΩ/DC500V
 使用条件: -40℃~+105℃

	pitch dimension			Nominal dimension					— ▱ ⌒
	over 0	over 6	over 10	over 0	over 30	over 60	over 100	over 150	
variable range	to 6	to 10	to 24	to 30	to 60	to 100	to 150		
Tolerance	±0.1	±0.15	±0.25	±0.2	±0.3	±0.5	±0.7	±1.0	0.05/10

10	ZBD5-XXP标记号	ZBD5-XXP	1	PA66-V0		
9	LUK-左固定件	6LUKKOY0013V	1	PA66-V0		
8	LUK-右固定件	6LUKKOY0023V	1	PA66-V0		
7	LD1-2.5-弹片	6LD1B0001AV	2P	SUS301		
6	LD1-2.5-导电件	6LD1B0002AV	P	紫铜	镀雾锡	
5	LD1-2.5-按钮	6LD1A400204V	2P	PBT	橘黄	
4	LD1-2.5-XX壳体	6LD1C400203V	1	PA66-V0	绿色	
3	LD1-2.5-主体	6LD1A400203V	1	PA66-V0	绿色	
2	LZ3H-5.08-直针	1031B0002AV	2P	黄铜	镀雾锡	
1	LZ7-5.08-主体	1182AOYXXAV	2	PA66		
NO.	NAME OF PART		NO. OF PART	Q' TY	MATERIAL	NOTES
DES.	ZJL	DATE	2022/8/3	UNITS	MM	THIRD ANGLE PROJECTION
CHK.		DATE		SIZE	A4	1 of 1
APP.		DATE		SCALE	1:1	DWG NO. SP-1153A01 REV:V0

 **上海联捷电气有限公司**
 Shanghai Elinker Electric CO., LTD

TITLE LD700M-5.08-XXP-1Y-00A
 LD700M-5.08-成品