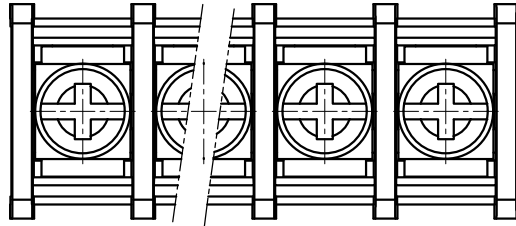
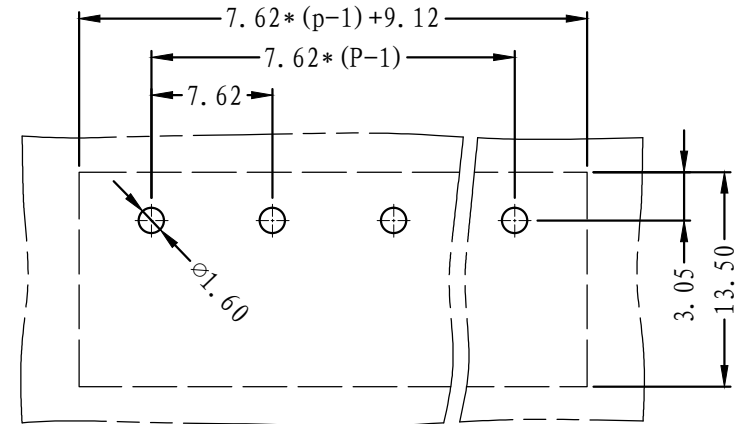
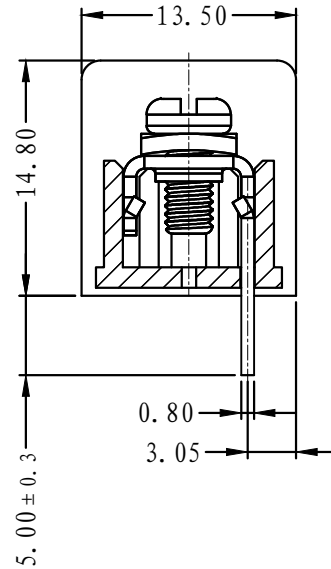
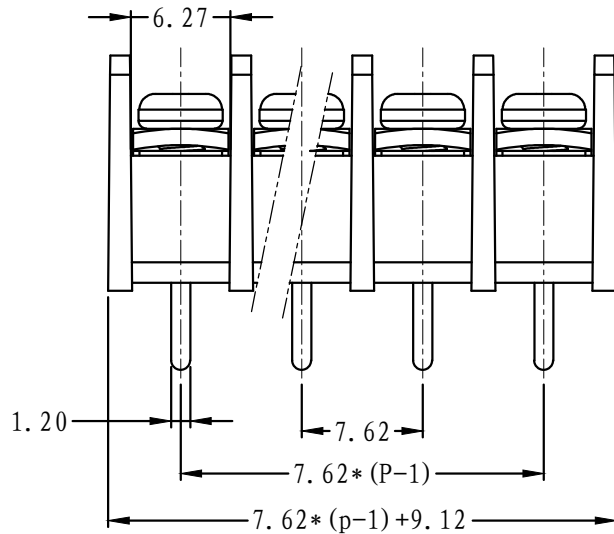


REVISION RECORD			
REV.	CONTENT	MOD.	DATE
△	初版发行		



NOTES:
 Pitch : 7.62mm
 Rated Voltage : 300V
 Rated Current : 15 A
 Withstand Voltage :
 AC2500V for 1 minute
 Insulation Resistance :
 5MΩ / DC500V
 Using Temperature Range :
 -40°C ~ +130°C
 Wire range : 22~14 AWG
 Screw Torque Value : 0.5Nm

技术要求:
 间距: 7.62mm
 额定电压: 300V
 额定电流: 15A
 耐电压值: AC2500V/min
 绝缘阻抗: 5MΩ/DC500V
 使用条件: -40°C~+130°C
 适用线规: 22~14 AWG
 螺丝扭矩: 0.5Nm



	pitch dimension			Nominal dimension					— /
	over 0 to 6	over 6 to 10	over 10 to 24	over 0 to 30	over 30 to 60	over 60 to 100	over 100 to 150	— /	
variable range	0 to 6	6 to 10	10 to 24	0 to 30	30 to 60	60 to 100	100 to 150	— /	
Tolerance	±0.1	±0.15	±0.25	±0.2	±0.3	±0.5	±0.7	±1.0	0.05/10

3	M3*6-6*6	SQFFA306023V	P	碳钢	三价铬钝化彩锌
2	LW1B-7.62-焊脚	5010B0002AV	P	黄铜	镀雾锡
1	LW1-7.62-主体	5010A0YXXAV	1	PBT	
NO.	NAME OF PART	NO. OF PART	Q'TY	MATERIAL	NOTES
DES.	LDD	DATE	12-05-10	UNITS	MM
CHK.		DATE		SIZE	A4
APP.		DATE		SCALE	1: 1
				DWG NO.	SP-2-5010002
				REV:	V0
 上海联捷电气有限公司 Shanghai Elinker Electric C.O,LTD				TITLE	LW1B-7.62-XXP-1Y-00A
					LW1B-7.62-成品