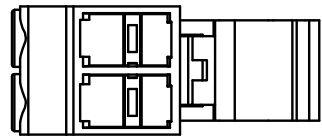
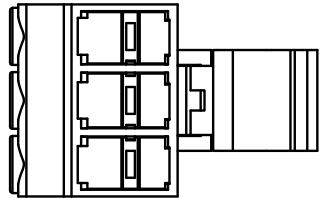


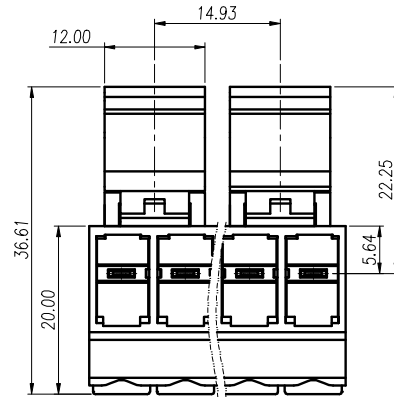
REVISION RECORD			
REV.	CONTENT	MOD.	DATE
△	出版发行		



2P



3P

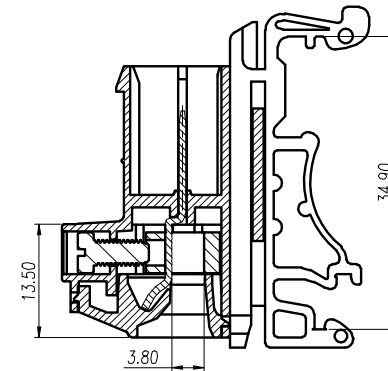
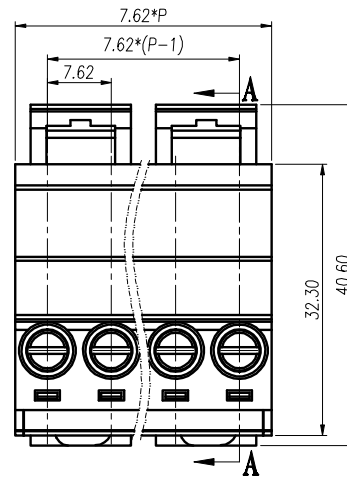
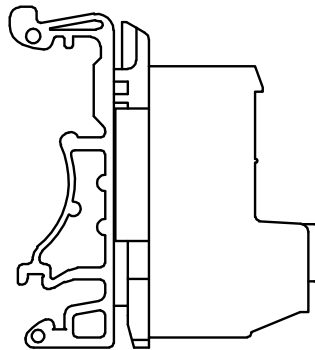


NOTES:

1. Voltage Rating: 380V, Current Rating: 32A
2. PITCH: 7.62mm
3. Insulation Withstand Voltage: AC2500V/min
4. Insulation Resistance: 100MΩ or more at DC500V
5. Using Temperature Range: -40°C~+105°C
6. Suitable Electric Wire: 24-10 AWG
7. Screw Torque Value: 0.51N.m

技术要求:

1. 额定电压: 380V, 额定电流: 32A
2. 间距: 7.62mm
3. 耐压试验: AC2500V/min
4. 绝缘电阻: 100MΩ/DC500V
5. 使用条件: -40° ~ +105°
6. 适用导线: 24-10 AWG
7. 螺丝扭矩: 0.51N.m



SECTION A-A

	pitch dimension			Nominal dimension					—
	over 0	over 6	over 10	over 0	over 30	over 60	over 100	over 150	
variable range	to 6	to 10	to 24	to 30	to 60	to 100	to 150		
Tolerance	±0.1	±0.15	±0.25	±0.2	±0.3	±0.5	±0.7	±1.0	0.05/10

6	LC16-脚	1045T0Y01AV	1-2	PA66-V0	
5	M3*6.6一字平头螺丝	SP0YA306601V	P	碳钢	三价铬钝化彩锌
4	UDK4-铜方块	F1C0BLC1H03V	P	黄铜	镀镍
3	LC10H-7.62-方针	1156B0001AV	P	紫铜	镀雾锡
2	LC1H-7.62-盖板	1153C0YXXAV	1	PA66-V0	
1	LC10HU-7.62-主体	1158A0YXXAV	1	PA66-V0	
NO.	NAME OF PART	NO. OF PART	Q' TY	MATERIAL	NOTES
DES.	WYY	DATE	2019/10/15	UNITS	MM
CHK.		DATE		SIZE	A4
APP.		DATE		SCALE	1:1
				THIRD ANGLE PROJECTION SHEET	
				1 of 1	
				DWG NO. SP-2-1158003 REV:V0	
上海联捷电气有限公司 Shanghai Elinker Electric Co., LTD				TITLE	
				LC16H-7.62-XXP-1Y-00A	
				LC16H-7.62-成品	