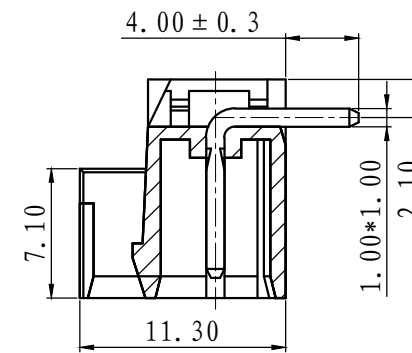
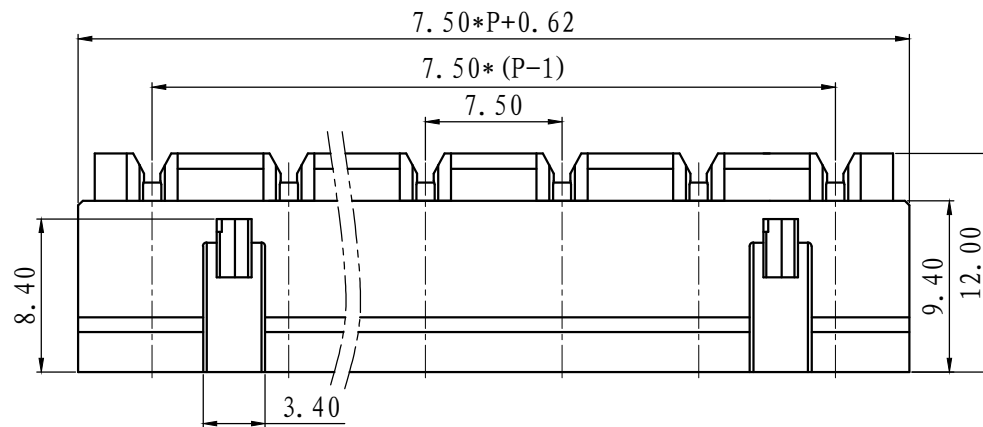
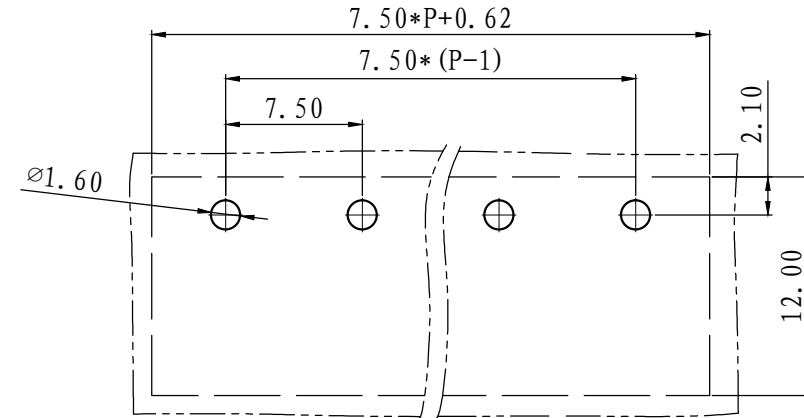
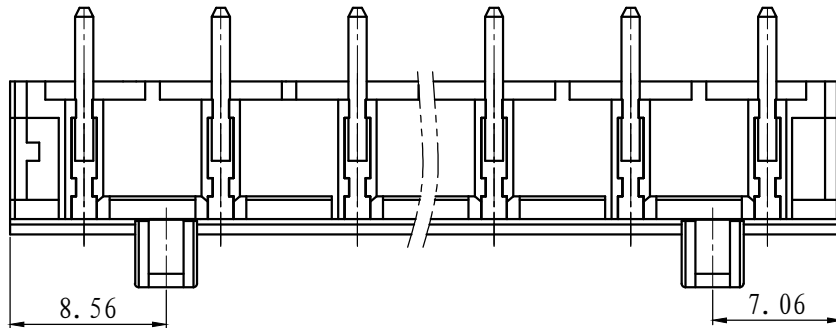


REVISION RECORD

REV.	CONTENT	MOD.	DATE
△	初版发行		



SECTION A-A

NOTES:

1. Voltage Rating: 300V, Current Rating: 15A
2. PITCH: 7.5mm
3. Insulation Withstands Voltage: AC2500V/min
4. Using Temperature Range: -40°C- +105°C
5. Pole: 2-12P

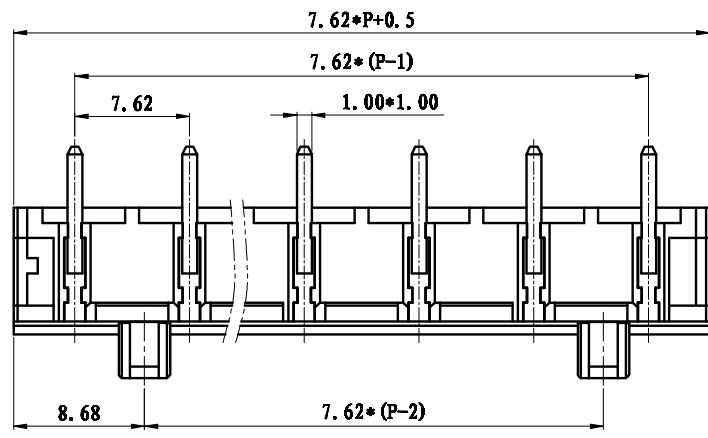
技术要求:

1. 额定电压: 300V, 额定电流: 15A
2. 间距: 7.5mm
3. 耐电压值: AC 2500V/min
4. 使用条件: -40°C- +105°C
5. 极数: 2-12P

	pitch dimension			Nominal dimension					— □ ○
	over 0	over 6	over 10	over 0	over 30	over 60	over 100	over 150	
variable range	to 6	to 10	to 24	to 30	to 60	to 100	to 150		
Tolerance	±0.1	±0.15	±0.25	±0.2	±0.3	±0.5	±0.7	±1.0	0.05/10

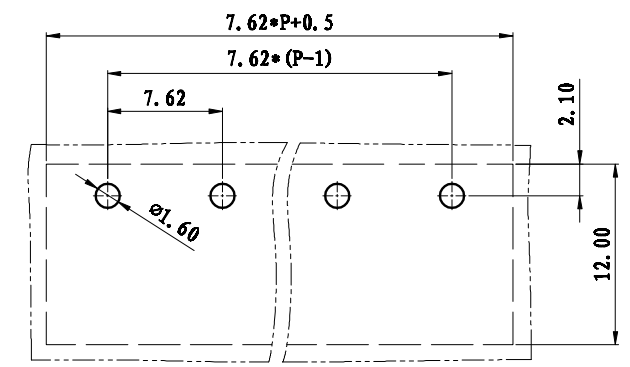
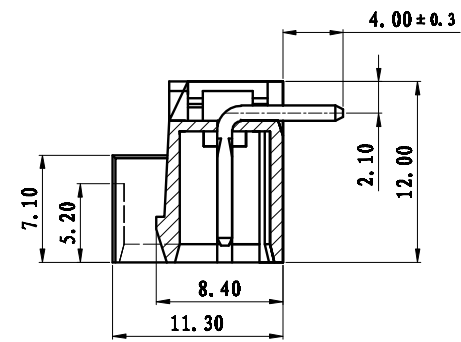
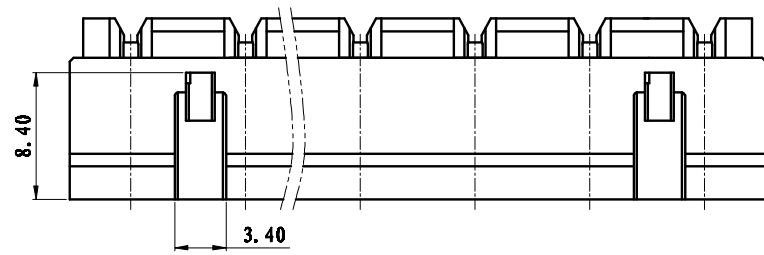
2	LSZ1-5.08-弯针	1055B0002AV	P	黄铜	镀雾锡
1	LSZ1B-7.5-主体	1093A0YXXAV	1	PA66	
NO.	NAME OF PART	NO. OF PART	Q'TY	MATERIAL	NOTES
DES.	LDD	DATE	2012/08/15	UNITS	mm
CHK.	DATE	SIZE	A4	THIRD ANGLE PROJECTION	SHEET
APP.	DATE	SCALE	1: 1	DWG NO.	SP-1-1093A02
				TITLE	LSZ1BR-7.5-XXP-1Y-00A
					LSZ1BR-7.5-成品

REVISION RECORD			
REV.	CONTENT	MOD.	DATE
▲	初版发行		



NOTES:  
 Pitch : 7.62mm  
 Rated Voltage : 300 V  
 Rated Current : 15 A  
 Withstand Voltage :  
 AC2500V for 1 minute  
 Insulation Resistance :  
 500MΩ / DC500V  
 Using Temperature Range :  
 -40℃ ~ +105℃

技术要求:  
 间距: 7.62mm  
 额定电压: 300V  
 额定电流: 15A  
 耐电压值: AC2500V/min  
 绝缘阻抗: 500MΩ/DC500V  
 使用条件: -40℃~+105℃



	pitch dimension			Nominal dimension					—
	over 0	over 6	over 10	over 0	over 30	over 60	over 100	over 150	
variable range	to 6	to 10	to 24	to 30	to 60	to 100	to 150		▱
Tolerance	±0.1	±0.15	±0.25	±0.2	±0.3	±0.5	±0.7	±1.0	○

2	LZ1-5.08-弯针(1.3)	1015B0008AV	P	黄铜	镀雾锡
1	LSZ1B-7.62-主体	1102A0YXXAV	1	PA66	
NO.	NAME OF PART	NO. OF PART	QTY	MATERIAL	NOTES
DES.	LDD	DATE	2012/08/15	UNITS	mm
CHK.		DATE		SIZE	A4
APP.		DATE		SCALE	1:1
上海联捷电气有限公司 Shanghai Elinker Electric CO.,LTD				TITLE	LSZ1BR-7.62-XP-1Y-00A LSZ1BR-7.62-成品
				THIRD ANGLE PROJECTION	SHEET 1 of 1
				DWG NO.	SP-2-1102002 RBV: V0