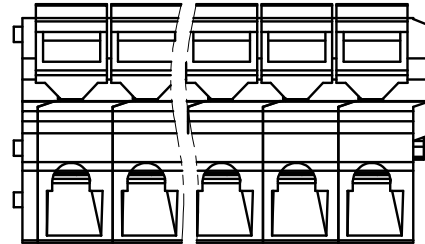
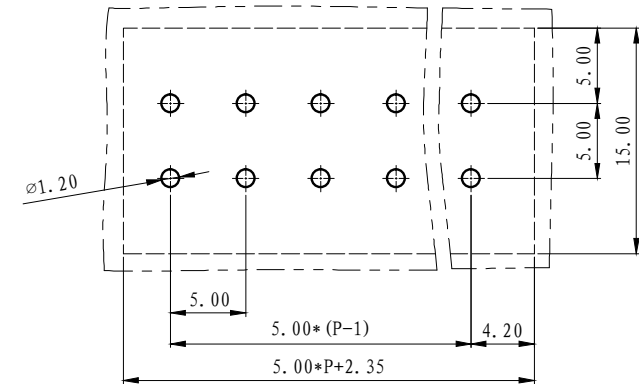
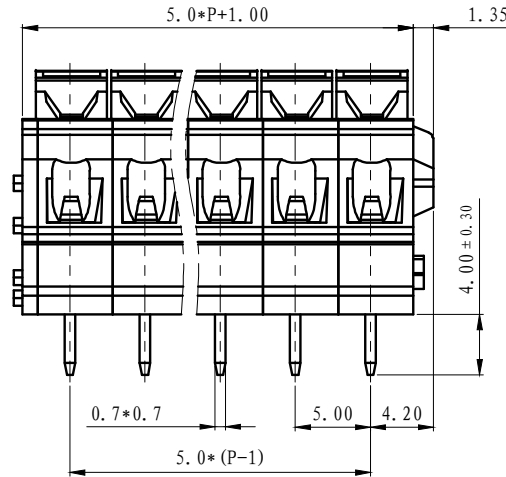
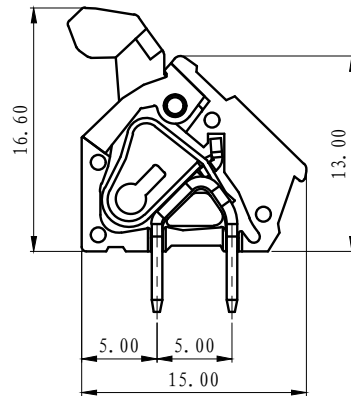


REVISION RECORD			
REV.	CONTENT	MOD.	DATE
△	初版发行		



NOTES:  
 Pitch : 5.0mm  
 Rated Voltage : 300 V  
 Rated Current : 17 A  
 Withstand Voltage :  
 AC2500V for 1 minute  
 Insulation Resistance :  
 500MΩ / DC500V  
 Using Temperature Range :  
 -40℃ ~ +105℃  
 Wire range : 24~14AWG  
 Stripping length: 6mm

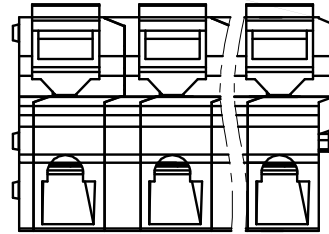
技术要求:  
 间距: 5.0mm  
 额定电压: 300V  
 额定电流: 17A  
 耐电压值: AC2500V/min  
 绝缘阻抗: 500MΩ/DC500V  
 使用条件: -40℃~+105℃  
 适用线规: 24~14 AWG  
 剥线长度: 6mm



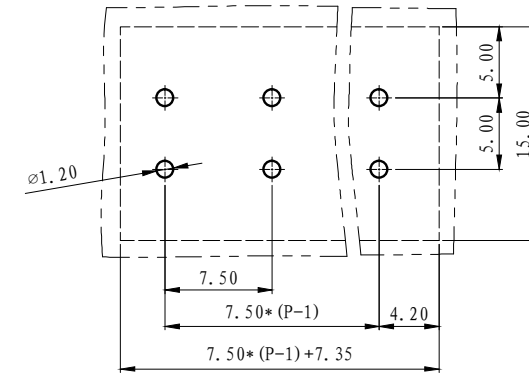
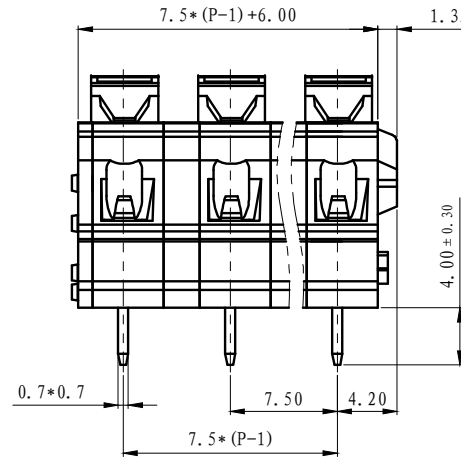
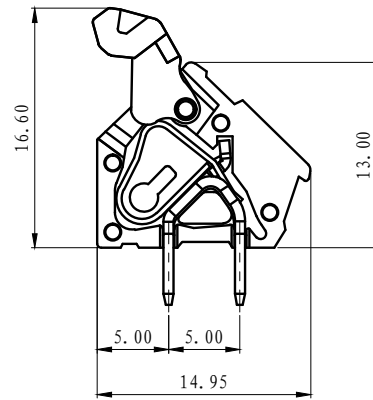
	pitch dimension			Nominal dimension					—
	over 0	over 6	over 10	over 0	over 30	over 60	over 100	over 150	
variable range	to 6	to 10	to 24	to 30	to 60	to 100	to 150		▱
Tolerance	±0.1	±0.15	±0.25	±0.2	±0.3	±0.5	±0.7	±1.0	0.05/10

5	LS243-盖板	3007C0Y01AV	1	PA66-V0	
4	LS243-弹片	F2A0DLS243BV	P	不锈钢	
3	LS243-焊脚	3007B00010V	P	紫铜	镀雾锡
2	LS243-按钮	3007D0Y01AV	P	POM	
1	LS243-5.0-主体	3007A0Y01AV	P	PA66-V0	
NO.	NAME OF PART	NO. OF PART	Q'TY	MATERIAL	NOTES
DES.	XML	DATE	2012/2/23	UNITS	mm
CHK.		DATE		SIZE	A4
APP.		DATE		SCALE	1:1
				DWG NO.	SP-2-3007001
				REV:	V0
上海联捷电气有限公司 Shanghai Elinker Electric C.O.,LTD				TITLE	LS243-5.0-XXP-1Y-00A
					LS243-5.0-成品

REVISION RECORD			
REV.	CONTENT	MOD.	DATE
△	初版发行		



技术要求:  
 间距: 7.5mm  
 额定电压: 300V  
 额定电流: 17A  
 耐压值: AC25kV



	pitch dimension			Nominal dimension					— /
	over 0	over 6	over 10	over 0	over 30	over 60	over 100	over 150	
variable range	to 6	to 10	to 24	to 30	to 60	to 100	to 150		▱ ⌒
Tolerance	±0.1	±0.15	±0.25	±0.2	±0.3	±0.5	±0.7	±1.0	0.05/10

6	LS243-2.5-隔板	3007H0Y02AV	P-1	PA66-V0	
5	LS243-盖板	3007C0Y01AV	1	PA66-V0	
4	LS243-弹片	F2A0DLS243BV	P	不锈钢	
3	LS243-焊脚	3007B00010V	P	紫铜	镀雾锡
2	LS243-按钮	3007D0Y01AV	P	POM	
1	LS243-5.0-主体	3007A0Y01AV	P	PA66-V0	
NO.	NAME OF PART	NO. OF PART	Q'TY	MATERIAL	NOTES
DES.	XLM	DATE	2012/2/23	UNITS	mm
CHK.		DATE		SIZE	A4
APP.		DATE		SCALE	1:1
				DWG NO.	SP-2-3007003
				REV:	V0
上海联捷电气有限公司 Shanghai Elinker Electric C.O.,LTD				TITLE	LS243-7.5-XXP-1Y-00A
					LS243-7.5-成品