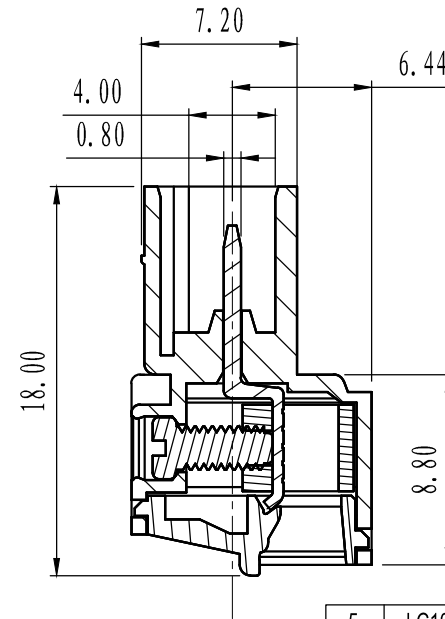
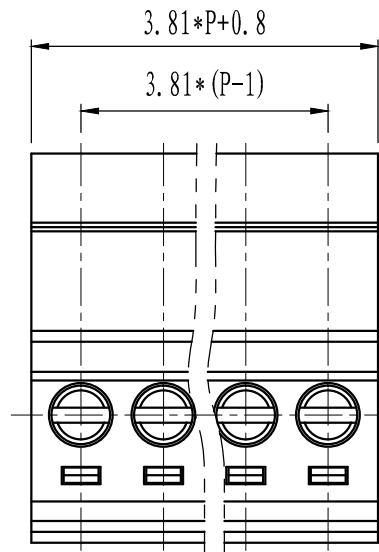
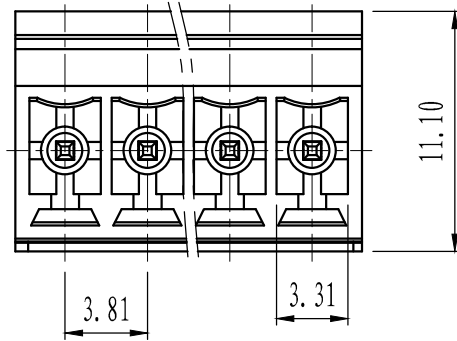


REVISION RECORD			
REV.	CONTENT	MOD.	DATE
△	新发行		



NOTES:

Pitch: 3.81mm Pole: 2-24P

Rated Voltage: 300V

Rated Current: 8A

Withstand Voltage: AC2500V for 1 minute

Insulation Resistance : 500MΩ/DC500V

Using Temperature Range : -40° ^+150°

Wire range : 30-16 AWG

Screw Torque Value : 0.2N.m

技术要求:

间距: 3.81mm 极数: 2-24P

额定电压: 300V

额定电流: 8A

耐电压值: AC 2500V/min

绝缘阻抗: 500MΩ

使用条件: -40℃ -+105℃

适用线规: 30-16AWG

螺丝扭矩: 0.2 N.m

	pitch dimension			Nominal dimension					— □ ○
	over 0	over 6	over 10	over 0	over 30	over 60	over 100	over 150	
variable range	to 6	to 10	to 24	to 30	to 60	to 100	to 150		
Tolerance	±0.1	±0.15	±0.25	±0.2	±0.3	±0.5	±0.7	±1.0	0.05/10

5	LC10-3.81方针	1054B0001AV	P	紫铜	镀雾锡		
4	LC1-3.81-方块	F1A0BLC3813V	P	黄铜	镀镍		
3	LC18-3.81-螺丝	SSM0200030V	P	碳钢	三价铬钝化彩锌		
2	LC1-3.81盖板	1002C0YXXAV	1	PA66-V0			
1	LC10-3.81主体	1054A0YXXAV	1	PA66-V0			
NO.	NAME OF PART	NO. OF PART	Q'TY	MATERIAL	NOTES		
DES.	LDD	DATE	2012/07/26	UNITS	mm	THIRD ANGLE PROJECTION	SHEET
CHK.		DATE		SIZE	A4	⊕	1 of 1
APP.		DATE		SCALE	1:1	DWG NO.	SP-1-1051A400
						TITLE	LC10-3.81-XXP-1Y-00A
				上海联捷电气有限公司 Shanghai Elinker Electric CO.,LTD			LC10-3.81成品