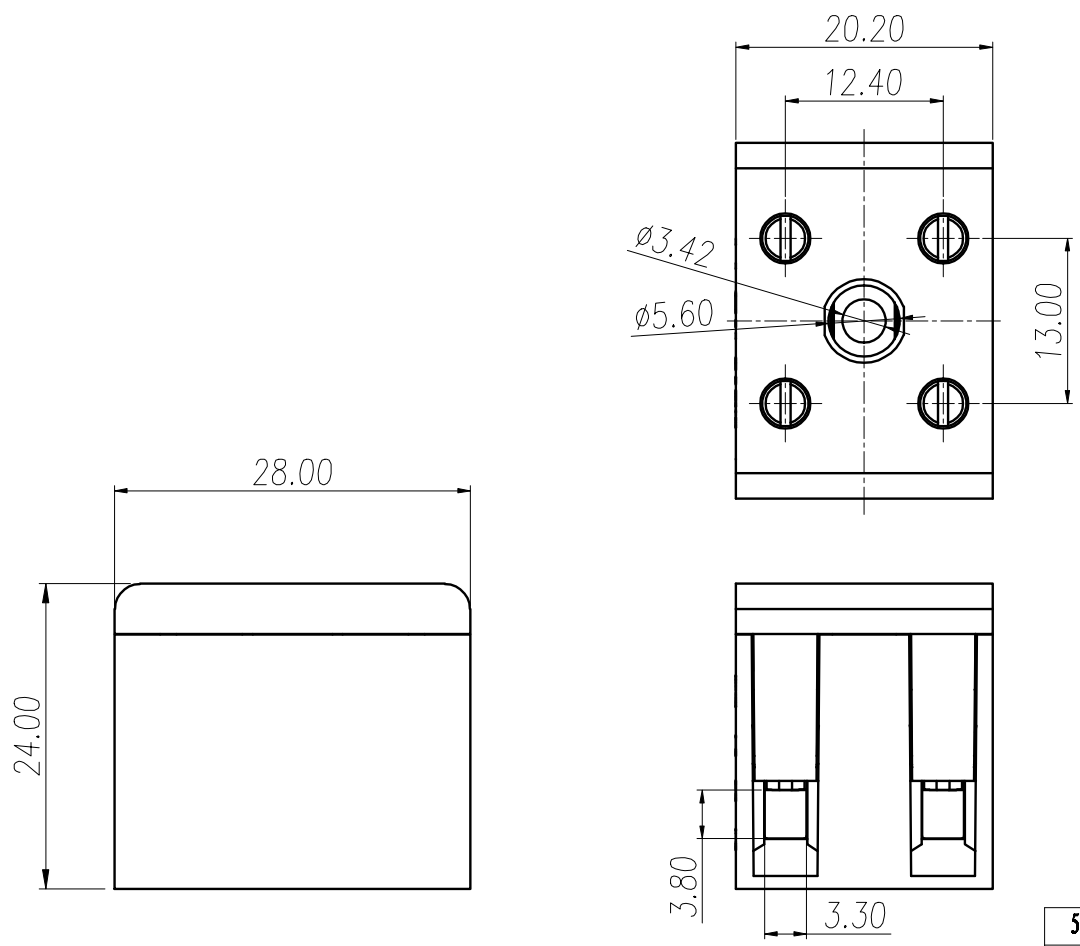


REVISION RECORD			
REV.	CONTENT	MOD.	DATE
△	初版发行		



**技术要求:**  
**极数: 组装**  
**额定电压: 600V**  
**额定电流: 20-41A**  
**螺钉类型/扭力: M3/0.6N.m**  
**绝缘材料类型: PA66**  
**阻燃等级: V0**  
**线径: 0.2-4mm<sup>2</sup>**

	pitch dimension			Nominal dimension					—
	over 0	over 6	over 10	over 0	over 30	over 60	over 100	over 150	
variable range	to 6	to 10	to 24	to 30	to 60	to 100	to 150		▱
Tolerance	±0.1	±0.15	±0.25	±0.2	±0.3	±0.5	±0.7	±1.0	⌒

5	H3803导电件	6H38B00041AV	2	紫铜	
4	UK5N-铜方块	F000000140V	4	黄铜	
3	UK2.5B-螺丝	SSM0300070V	4	合金铜	镀锌
2	H3803-C盖板	4024C4002AV	1	PA66-V0	
1	H3803-C本体	4024A4002AV	1	PA66-V0	
NO.	NAME OF PART	NO. OF PART	Q'TY	MATERIAL	NOTES
DES.	HH	DATE	2019/09/29	UNITS	MM
CHK.		DATE		SIZE	A4
APP.		DATE		SCALE	1:1
				DWG NO.	SP-1-H380350
				TITLE	H3803-C-2P-1Y-00A
					H3803-C成品

