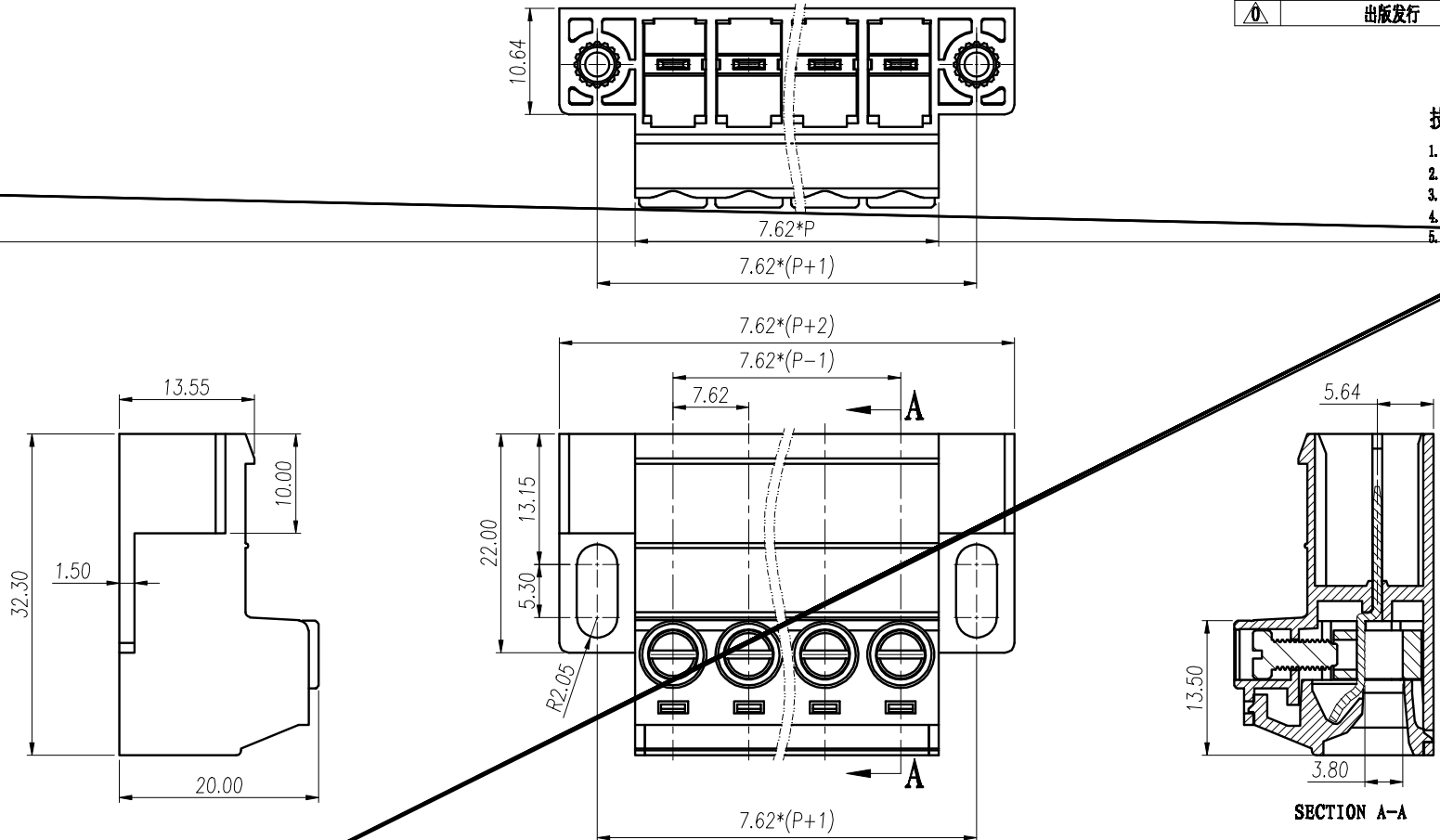


REVISION RECORD			
REV.	CONTENT	MOD	DATE
①	出版发行		

技术要求:

1. 额定电压: 380V, 额定电流: 32A
2. 间距: 7.62mm
3. 耐电压值: AC2500V/1min
4. 绝缘阻抗: 1000MΩ/DK50V
5. 使用条件: -40° ~ +40°



SECTION A-A

6	LZ1HM-7.62耳朵螺母	SM00B300000V	2	黄铜	
5	M3*6.6一字平头螺丝	SP0YA306601V	P	碳钢	三价铬钝化彩锌
4	UDK4-铜方块	F1C0BLC1H03V	P	黄铜	镀镍
3	LC10H-7.62-方针	1156B0001AV	P	紫铜	镀锡
2	LC1H-7.62-盖板	1153C0YXXAV	1	PA66-V0	
1	LC10HMG-7.62-主体	1156M0YXXAV	1	PA66-V0	

NO.	NAME OF PART	NO. OF PART	Q'TY	MATERIAL	NOTES
DES.	WYY	DATE	2019/10/15	UNITS	MM
CHK.		DATE		SIZE	A4
APP.		DATE		SCALE	1:1


**上海联捷电气有限公司**  
 Shanghai Elinker Electric Co., Ltd

TITLE LC10HMG-7.62-XP-1Y-00A  
 LC10HMG-7.62-成品

	pitch dimension			Nominal dimension					—
	over 0	over 6	over 10	over 0	over 30	over 60	over 100	over 150	
variable range	to 6	to 10	to 24	to 30	to 60	to 100	to 150		▱
Tolerance	±0.1	±0.15	±0.25	±0.2	±0.3	±0.5	±0.7	±1.0	⌒