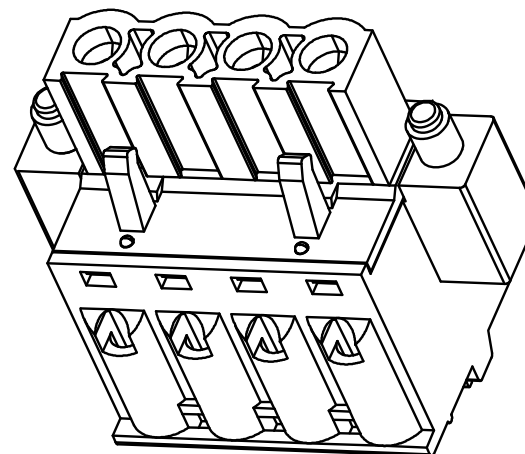
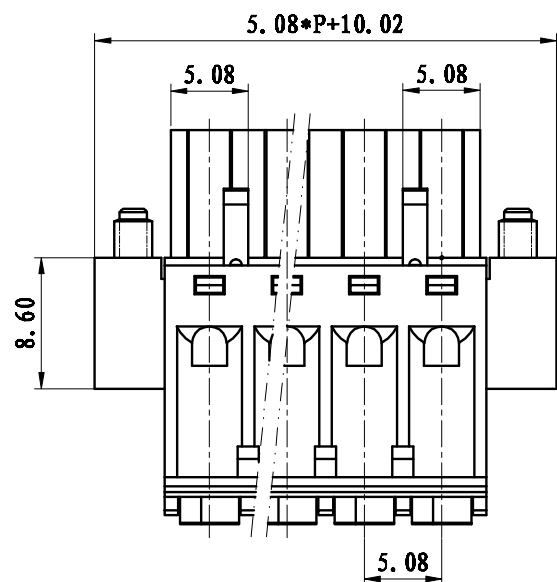
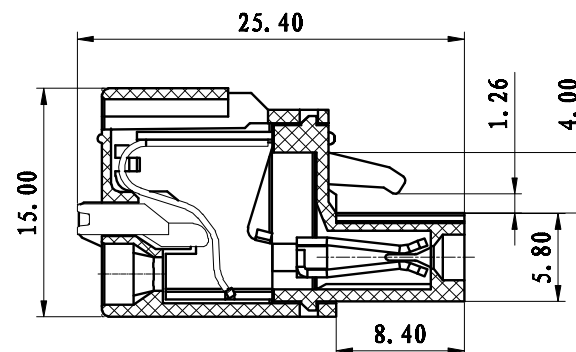
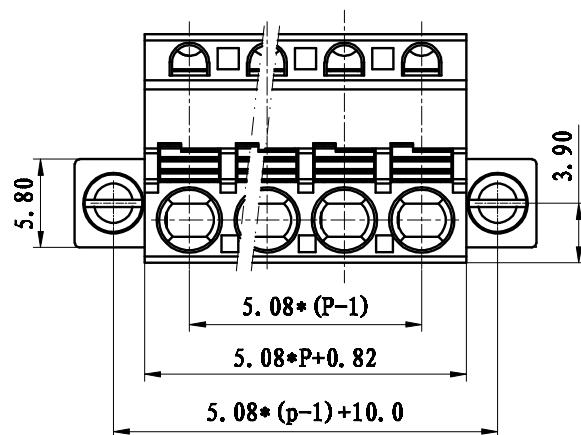


REVISION RECORD			
REV.	CONTENT	MOD.	DATE
△0	新发行		



**NOTES:**  
**Pitch : 5.08mm**  
**Rated Voltage : 300V**  
**Rated Current : 10A**  
**Withstand Voltage : AC2500V for 1 minute**  
**Insulation Resistance : 500MΩ / DC500V**  
**Using Temperature Range : -40℃ ~ +105℃**  
**Wire range : 26~ 12AWG**



**技术要求:**  
**间距: 5.08mm**  
**额定电压: 300V**  
**额定电流: 10A**  
**耐电压值: AC2500V/min**  
**绝缘阻抗: 500MΩ/DC500V**  
**使用条件: -40℃~+105℃**  
**适用线规: 26~12AWG**

6	LC1-耳朵螺丝	SP07A255101V	2	碳钢	三价铬钝化彩锌
5	LC6-5.08-盖子	1020C0YXXAV	1	PA66-V0	
4	LC6-5.08-夹子	1020D0001AV	P	磷青铜	镀镍
3	LC6-5.08-弹片	F2A00LC600BV	P	不锈钢	
2	LC6-5.08-按钮	1020D0YXXAV	P	PA66-V0	
1	LC6M-5.08-主体	1020M0YXXAV	1	PA66-V0	
NO.	NAME OF PART	NO. OF PART	Q'TY	MATERIAL	NOTES
DES.	ARKINE	DATE	2011/03/08	UNITS	MM
CHK.		DATE		SIZE	A4
APP.		DATE		SCALE	1:1
				DWG NO.	SP-2-1020001
				REV:	V0
				TITLE	LC6M-5.08-XXP-1Y-00A
					LC6M-5.08-成品

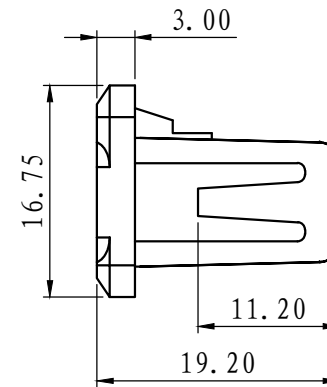
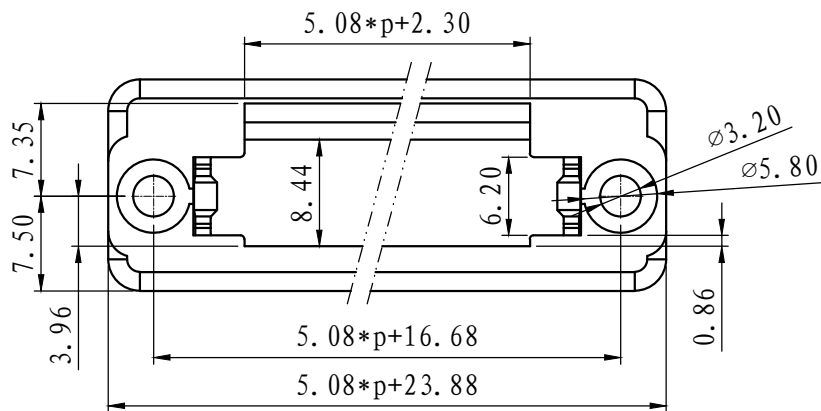
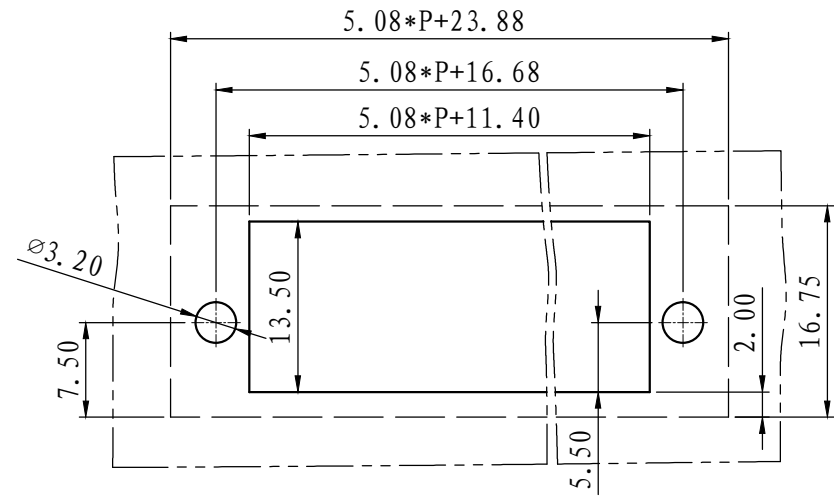
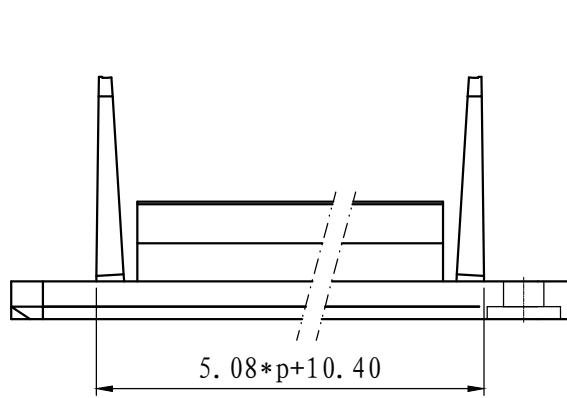
	pitch dimension			Nominal dimension					— ◇ ○
	over 0	over 6	over 10	over 0	over 30	over 60	over 100	over 150	
variable range	to 6	to 10	to 24	to 30	to 60	to 100	to 150		
Tolerance	±0.1	±0.15	±0.25	±0.2	±0.3	±0.5	±0.7	±1.0	0.05/10



**上海联捷电气有限公司**  
**Shanghai Hlinker Electric Co., Ltd**

TITLE  
 LC6M-5.08-XXP-1Y-00A  
 LC6M-5.08-成品


REVISION RECORD			
REV.	CONTENT	MOD.	DATE
△	初版发行		

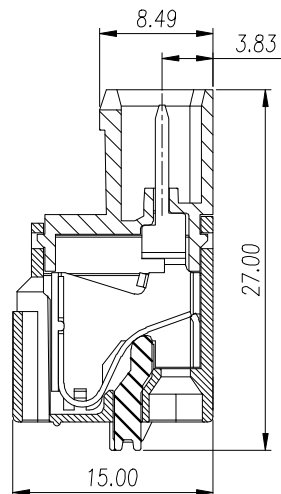
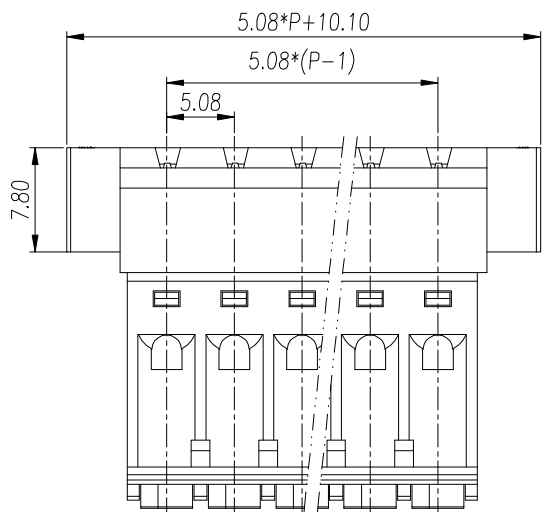
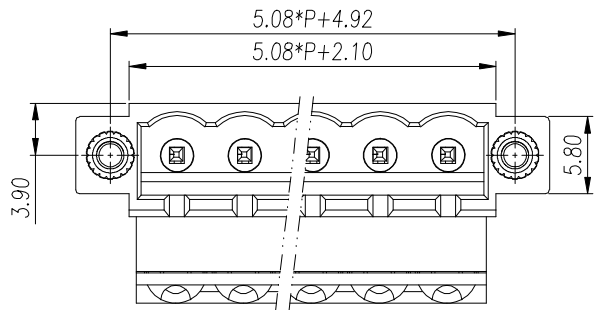


技术要求:

1. 避免色差明显变形和缩水现象
2. 最大允许毛刺量0.05mm
3. 与LC10MG-5.08的产品匹配

	pitch dimension			Nominal dimension					—
	over 0	over 6	over 10	over 0	over 30	over 60	over 100	over 150	
variable range	to 6	to 10	to 24	to 30	to 60	to 100	to 150		◇
Tolerance	±0.1	±0.15	±0.25	±0.2	±0.3	±0.5	±0.7	±1.0	○

1	LZSX-5.08-主体	1018A0YXXAV	1	PA66-V0	
NO.	NAME OF PART	NO. OF PART	Q' TY	MATERIAL	NOTES
DES.	ARKINE	DATE 11/11/21	UNITS	MM	THIRD ANGLE PROJECTION
CHK.	DATE	SIZE	A4		SHEET 1 of 1
APP.	DATE	SCALE	1:1	DWG NO.	SP-2-1018001 REV: V0
 <b>上海联捷电气有限公司</b> Shanghai Elinker Electric C.O.,LTD				TITLE	LZSX-5.08-XXP-1Y-00A LZSX-5.08-主体



REVISION RECORD			
REV.	CONTENT	MOD.	DATE
①	初版发行		

**NOTES:**  
 Pitch : 5.08mm  
 Rated Voltage : 300V  
 Rated Current : 10A  
 Withstand Voltage :  
 AC2500V for 1 minute  
 Insulation Resistance :  
 500MΩ / DC500V  
 Using Temperature Range :  
 -40℃ ~ +105℃  
 Wire range : 26~ 12AWG

**技术要求:**  
 间距: 5.08mm  
 额定电压: 300V  
 额定电流: 10A  
 耐电压值: AC2500V/min  
 绝缘阻抗: 500MΩ/DC500V  
 使用条件: -40℃~+105℃  
 适用线规: 26~12AWG

	pitch dimension			Nominal dimension					— ▭ ⌒
	over 0	over 6	over 10	over 0	over 30	over 60	over 100	over 150	
variable range	to 6	to 10	to 24	to 30	to 60	to 100	to 150		
Tolerance	±0.1	±0.15	±0.25	±0.2	±0.3	±0.5	±0.7	±1.0	0.05/10

6	LZ1-耳朵螺母	SM00B250000V	2	黄铜	
5	LC60-5.08五金件	2083B0001AV	P	磷青铜	镀锡
4	LC6-5.08-弹片	F2A0DLC658BV	P	不锈钢	
3	LC6-5.08-按钮	1020D0Y01AV	P	PA66	
2	LC60-5.08-盖板	2083C0YXXAV	1	PA66	
1	LC60MG-5.08-本体	2083N0YXXAV	1	PA66	
NO.	NAME OF PART	NO. OF PART	Q'TY	MATERIAL	NOTES
DES.	ZD	DATE	2020/07/23	UNITS	MM
CHK.		DATE		SIZE	A4
APP.		DATE		SCALE	1:1
				DWG NO.	SP-2-208302
				TITLE	LC60MG-5.08-成品

**上海联捷电气有限公司**  
 Shanghai Elinker Electric C O.,LTD

TITLE  
 LC60MG-5.08-成品