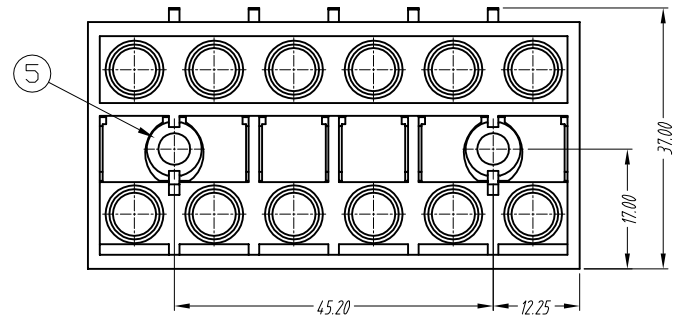
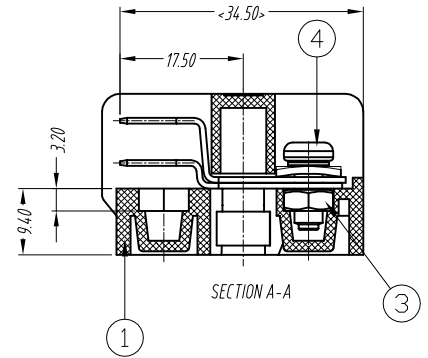
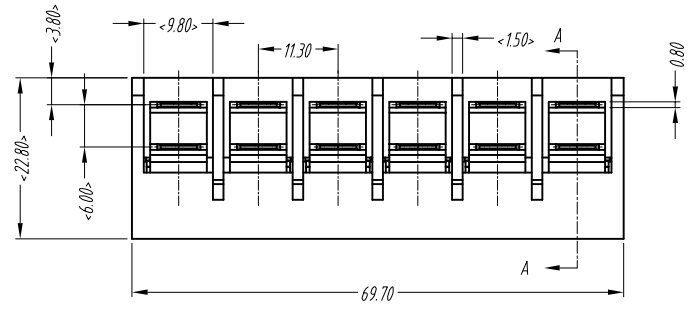
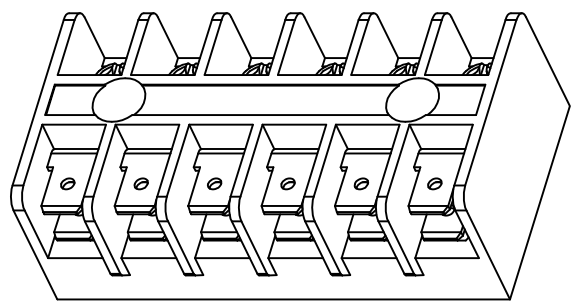
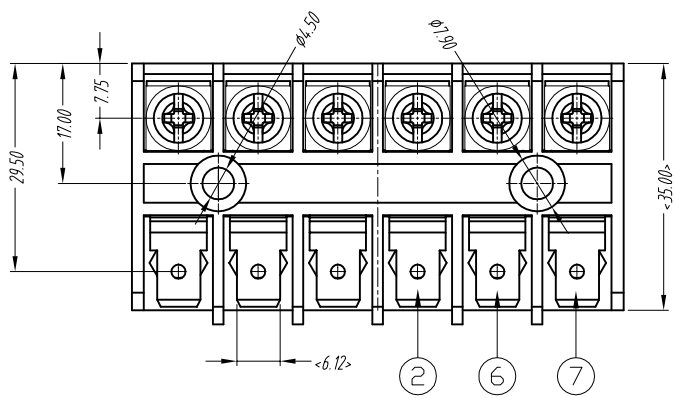


REVISION RECORD			
REV.	CONTENT	MOD.	DATE
△	初版发行		



TOLERANCES EXCEPT AS NOTED

variable range	linear dimension				fillet	chamfer	short angle				≡	—	□	//	⊥	
	to 6	to 30	to 120	to 480			to 6	to 10	to 30'	to 20'						to 10'
Tolerance	±0.1	±0.2	±0.3	±0.5	±0.2	±0.5	±1	1°	30'	20'	10'	0.3	0.025	0.06	0.12	0.4

NOTES:

1. Voltage Rating: 300V, Current Rating: 20A
2. PITCH: 11.30mm
3. Insulation Withstands Voltage: AC3000V/min
4. Insulation Resistance: 1000MΩ or more at DC500V
5. Using Temperature Range: -40° C - +105° C
6. Suitable Electric Wire: AWG 22-12
7. Screw Torque Value: 12 kgf-cm
8. Nut: M4-6g SW7 x 4mm

技术要求:

1. 额定电压: 300V, 额定电流: 20A
2. 间距: 11.30mm
3. 耐电压值: AC 3000V/min
4. 绝缘阻抗1000兆欧
5. 使用条件: -40° - +105°
6. 适用线规: AWG 22-12
7. 螺丝扭力: 12 kgf-cm
8. 螺母: M4-6g SW7 x 4mm

7.	JX0-66-端子3	M001B00030V	2	黄铜	镀镍
6.	JX0-66-端子2	M001B00020V	2	黄铜	镀镍
5.	JX0-66-插销	M001D3001AV	2	PBT	黑色
4.	M4*9.8(9.2*9.2)	SSD0400040V	6	碳钢	三价铬钝化彩锌
3.	M4螺母	SNM0400010V	6	碳钢	三价铬钝化彩锌
2.	JX0-66-端子1	M001B00010V	2	黄铜	镀镍
1.	JX0-66-本体	M001A3006AV	1	PBT	黑色
NO.	NAME OF PART	NO. OF PART	Q' TY	MATERIAL	NOTES
DES.	ARKINB	DATE	2010/6/2	UNITS	MM
CHK.		DATE		SIZE	A4
APP.		DATE		SCALE	1: 1
				DWG NO.	SP-2-M001002
上海联捷电气有限公司 Shanghai Blinker Electric C.O.,LTD				TITLE	JX0-66-06P-130-00A JX0-66-6P