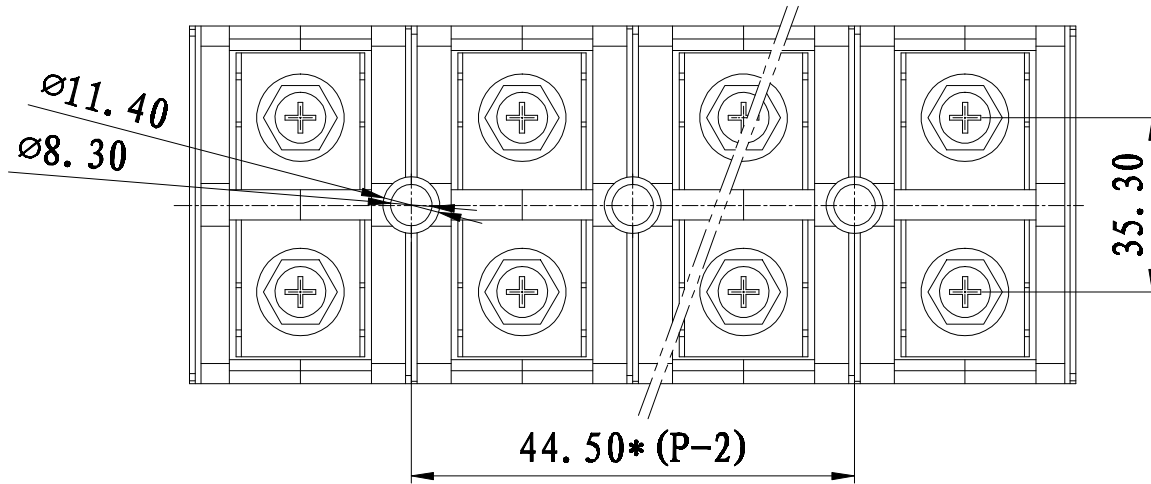
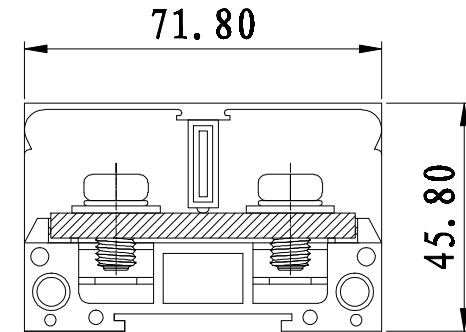
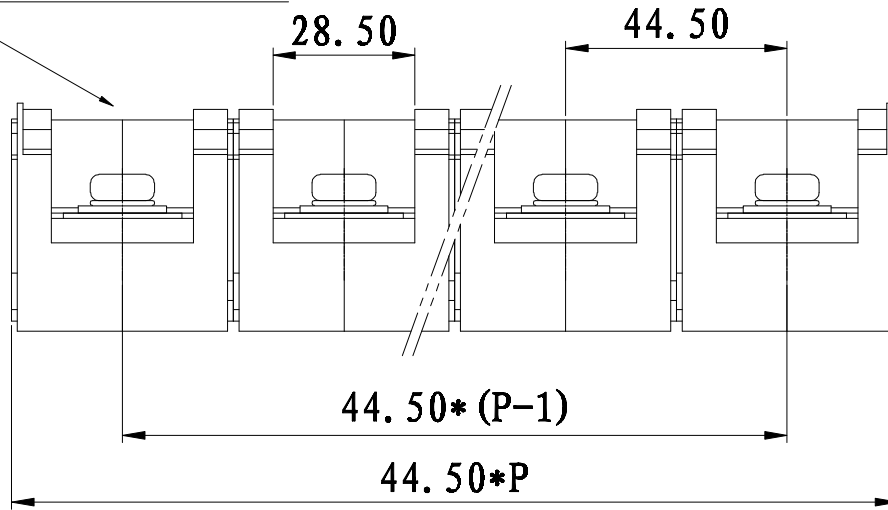


REVISION RECORD			
REV.	CONTENT	MOD.	DATE
△	初版发行		



技术要求:
 极数: 组装
 额定电压: 660V
 额定电流: 200A
 螺钉类型/扭力: M8/6.0-10.0
 绝缘材料类型: PC
 阻燃等级: V0
 刚柔性导线: 70mm²

备注: 端子上面有透明(防护罩)



	pitch dimension			Nominal dimension					— ▱ ○
	over 0	over 6	over 10	over 0	over 30	over 60	over 100	over 150	
variable range	to 6	to 10	to 24	to 30	to 60	to 100	to 150		
Tolerance	±0.1	±0.15	±0.25	±0.2	±0.3	±0.5	±0.7	±1.0	0.05/10

5	JHY1-200A罩盖	6JHYC7020001V	1	PC	透明
4	IN100BK-螺丝	SPBSA8016F2V	2P	碳钢	镀锌
3	JHY1-200A导电件	6JHYBDD200AV	P	H62	镀镍
2	JHY1-200A端板	6JHYC302000V	2	PC	黑色
1	JHY1-200A本体	6JHYA302000V	2P-2	PC	黑色
NO.	NAME OF PART	NO. OF PART	QTY	MATERIAL	NOTES
DES.	LDD	DATE	2012/08/30	UNITS	mm
CHK.		DATE		SIZE	A4
APP.		DATE		SCALE	1:1
				DWG NO.	6036A30
				REV:	V0
 上海联捷电气有限公司 Shanghai Elinker Electric CO.,LTD				TITLE	
				JHY1-200A-XXP-130-00A JHY1-200A成品	