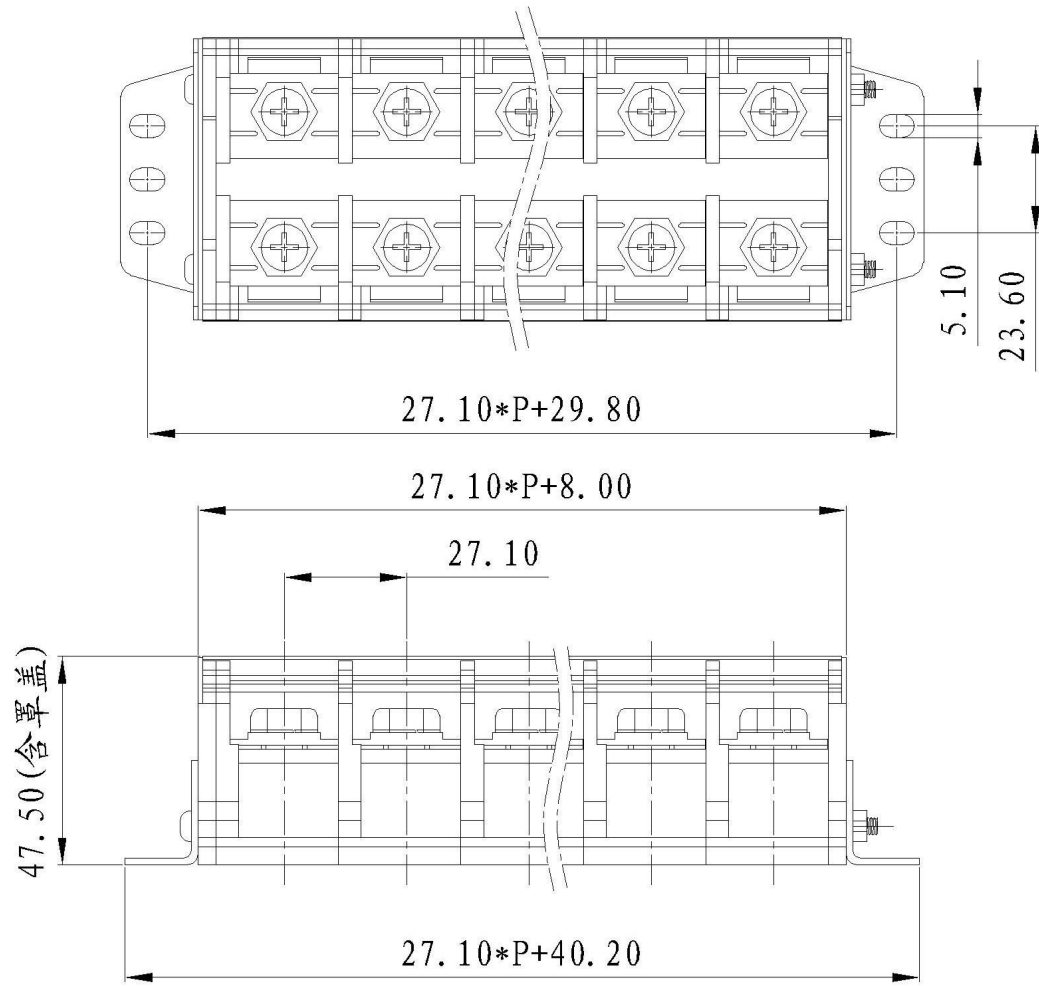
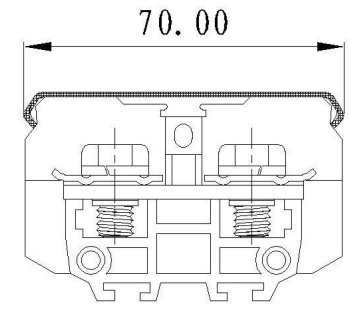


REVISION RECORD			
REV.	CONTENT	MOD.	DATE
△	初版发行		



技术要求:

- 额定电压: 1000V
- 额定电流: 150A
- 螺钉类型/扭力: M8/6.0-10.0 N.m
- 绝缘材料类型: PC
- 阻燃等级: V1
- 刚柔性导线: 35mm²



	Pitch dimension			Nominal dimension					— /
	over 0	over 6	over 10	over 0	over 30	over 60	over 100	over 150	
variable range	to 6	to 10	to 24	to 30	to 60	to 100	to 150		□ ○
Tolerance	±0.1	±0.15	±0.25	±0.2	±0.3	±0.5	±0.7	±1.0	0.05/10

8	TR-150罩盖	60TRC701500V	1	PC	镀锌
7	TR-80螺母	SMN0B000001V	2	黄铜	镀锌
6	TR-150螺杆	SG00A000001V	2	铁	镀锌
5	TR-固定件	60TRKDD150AV	2	铁	镀锌
4	TR-150螺丝	SWOSA801601V	2P	碳钢	镀镍
3	TR-150导电件	60TRBDD150AV	P	H62	镀镍
2	TR-150端板	60TRC301500V	2	PC	黑色
1	TR-150本体	60TRA301500V	P	PC	黑色

NO.	NAME OF PART	NO. OF PART	Q' TY	MATERIAL	NOTES
DES.	ARKINE	DATE	2012/6/13	UNITS	MM
CHK.		DATE		SIZE	A4
APP.		DATE		SCALE	1:1
				DWG NO.	SP-2-6031501
				REV:	V0
				TITLE	TR-150A-XXP-130-00A
					TR-15005组装图


上海联捷电气有限公司
 Shanghai Elinker Electric CO.,LTD