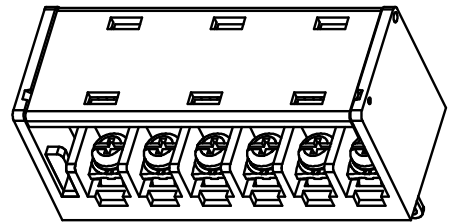
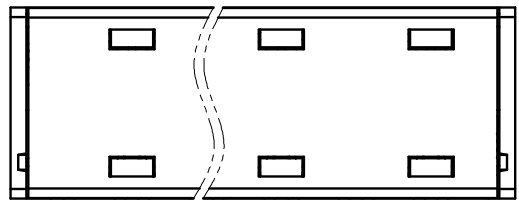


REVISION RECORD			
REV.	CONTENT	MOD.	DATE
▲	初版发行		

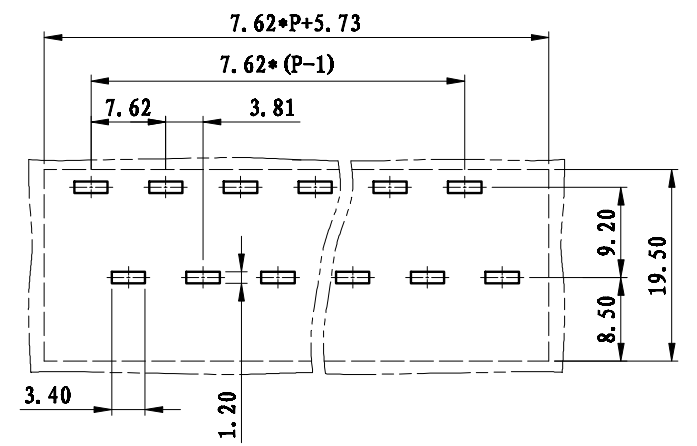
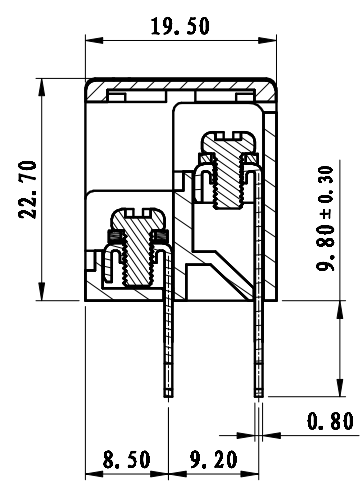
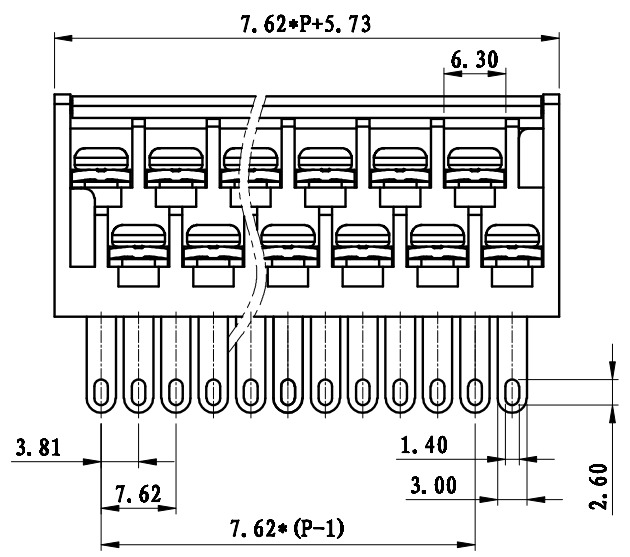


NOTES:

Pitch : 7.62mm
 Rated Voltage : 300V
 Rated Current : 15 A
 Withstand Voltage :
 AC2500V for 1 minute
 Insulation Resistance :
 500MΩ / DC500V
 Using Temperature Range :
 -40℃ ~ +130℃
 Wire range : 22~14 AWG
 Screw Torque Value : 0.5Nm

技术要求:

间距: 7.62mm
 额定电压: 300V
 额定电流: 15A
 耐电压值: AC2500V/min
 绝缘阻抗: 500MΩ/DC500V
 使用条件: -40℃~+130℃
 适用线规: 22~14 AWG
 螺丝扭矩: 0.5Nm



	pitch dimension			Nominal dimension					—
	over 0	over 6	over 10	over 0	over 30	over 60	over 100	over 150	
variable range	to 6	to 10	to 24	to 30	to 60	to 100	to 150		▱
Tolerance	±0.1	±0.15	±0.25	±0.2	±0.3	±0.5	±0.7	±1.0	⌒

5	M3*5.6-6*6	SQFFA305621V	2P	碳钢	三价铬钝化彩锌
4	LW6Q-7.62-短焊脚	5018B00030V	P	黄铜	镀镍锡
3	LW6Q-7.62-长焊脚	5018B00040V	P	黄铜	镀镍锡
2	LW6-7.62-盖板	5018C0YXXAV	1	PBT	
1	LW6-7.62-主体	5018A0YXXAV	1	PBT	

NO.	NAME OF PART	NO. OF PART	Q'TY	MATERIAL	NOTES
DES.	XLM	DATE	2011/12/15	UNITS	mm
CHK.		DATE		SIZE	A4
APP.		DATE		SCALE	1:1

上海联捷电气有限公司
 Shanghai Elinker Electric CO., LTD

NO.	NAME OF PART	NO. OF PART	Q'TY	MATERIAL	NOTES
DES.	XLM	DATE	2011/12/15	UNITS	mm
CHK.		DATE		SIZE	A4
APP.		DATE		SCALE	1:1

TITLE
 LW6Q-7.62-III-1Y-00A
 LW6Q-7.62-成品