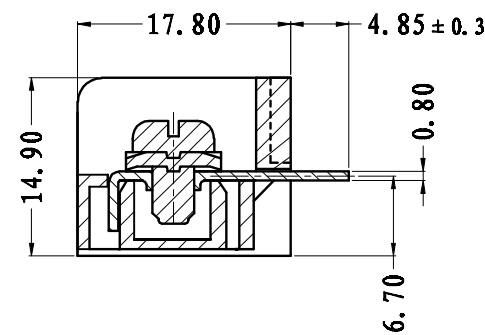
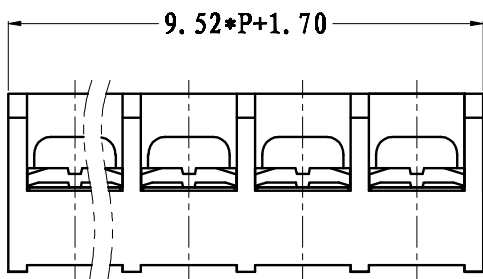
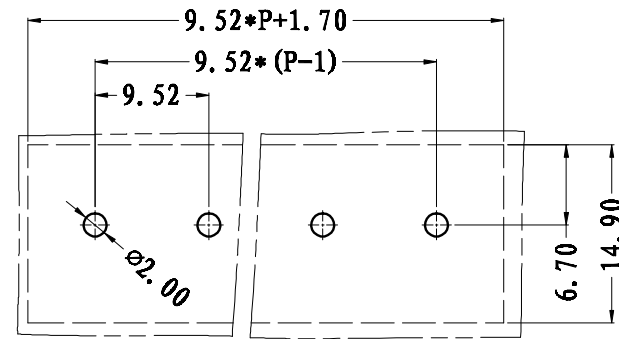
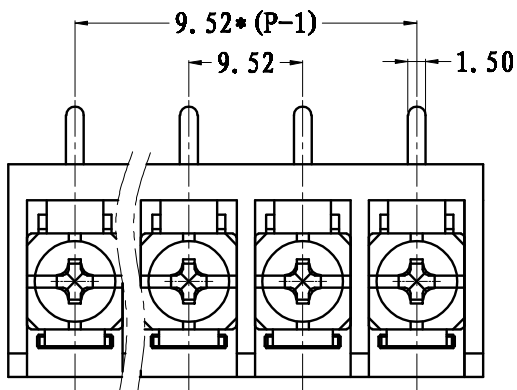


REVISION		RECORD	
REV.	CONTENT	MOD.	DATE
△0	初版发行		



NOTES:

1. Voltage Rating: 300V, Current Rating: 20A
2. PITCH: 9.52mm
3. Insulation Withstands Voltage: AC2500V/min
4. Insulation Resistance: 500MΩ or more at DC1000V
5. Using Temperature Range: -40° C - +130° C
6. Suitable Electric Wire: 22-12AWG
7. Screw Torque Value: 0.8 Nm

技术要求:

1. 额定电压: 300V, 额定电流: 20A
2. 间距: 9.52mm
3. 耐电压值: AC 2500V/min
4. 绝缘阻抗500兆欧
5. 使用条件: -40° - +130°
6. 适用线规: 22-12AWG
7. 螺丝扭力: 0.8Nm

	pitch dimension			Nominal dimension					— ◇ ○
	over 0	over 6	over 10	over 0	over 30	over 60	over 100	over 150	
variable range	to 6	to 10	to 24	to 30	to 60	to 100	to 150		
Tolerance	±0.1	±0.15	±0.25	±0.2	±0.3	±0.5	±0.7	±1.0	0.05/10

3	M3, 5*6-8*8	SPPFA356051V	P	碳钢	三价铬钝化彩锌
2	LW3R-9.52焊脚	5005B0002AV	P	黄铜	镀雾锡
1	LW3-9.52本体	5005A0YXXAV	1	PBT	
NO.	NAME OF PART	NO. OF PART	Q'TY	MATERIAL	NOTES
DES.	LDD	DATE	2012/06/18	UNITS	MM
CHK.		DATE		SIZE	A4
APP.		DATE		SCALE	1: 1
				DWG NO.	SP-2-5005001
				REV:	V0
上海联捷电气有限公司 Shanghai Elinker Electric C.O., LTD				TITLE	LW3R-9.52-XP-1Y-00A
					LW3R-9.52-成品