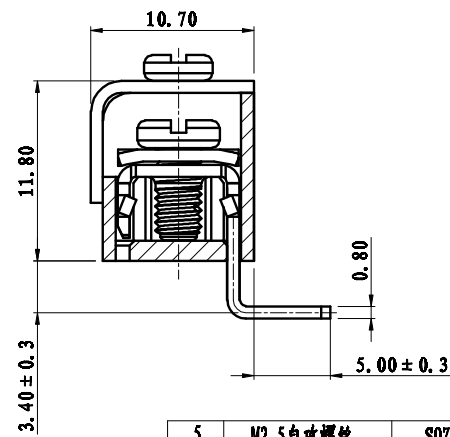
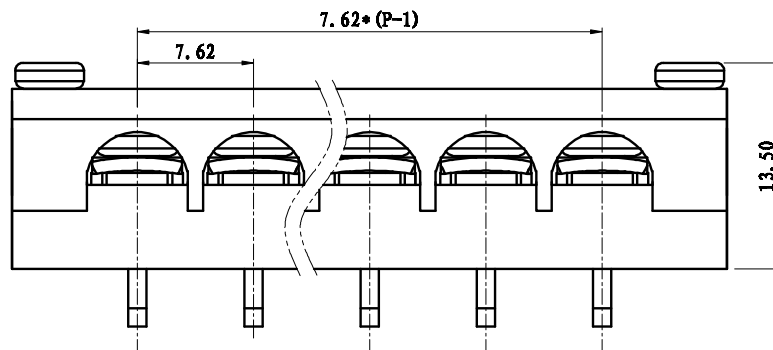
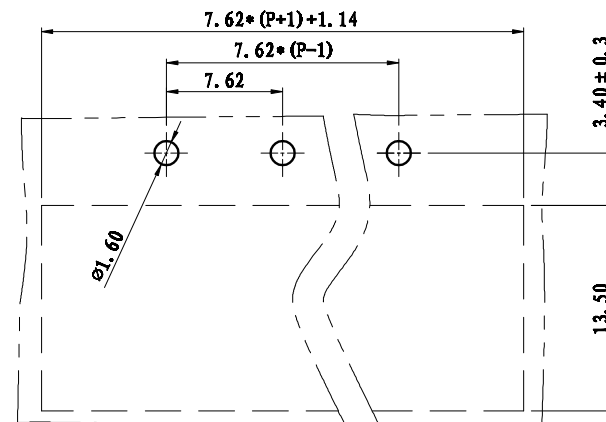
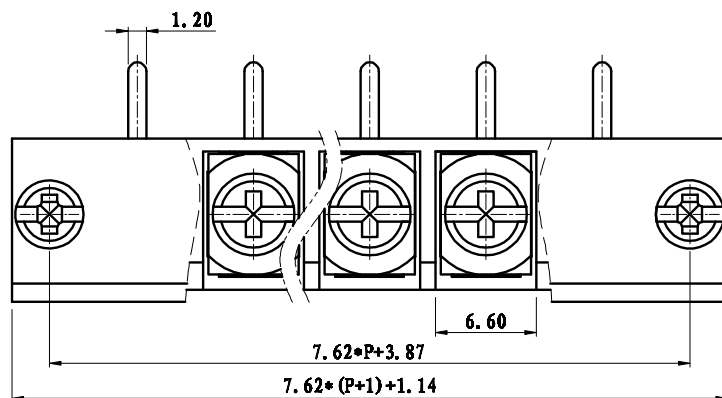


REVISION RECORD			
REV.	CONTENT	MOD.	DATE
①	初版发行		



- NOTES:
1. Voltage Rating: 300V, Current Rating: 15A
  2. PITCH: 7.62mm
  3. Insulation Withstands Voltage: AC2500V/min
  4. Insulation Resistance: 500MΩ or more at DC500V
  5. Using Temperature Range: -40° C - +130° C
  6. Suitable Electric Wire: AWG 22-14
  7. Screw Torque Value: 0.5 N.m

技术要求:

1. 额定电压: 300V, 额定电流: 15A
2. 间距: 7.62mm
3. 耐受电压: AC 2500V/min
4. 绝缘电阻: 500兆欧
5. 使用条件: -40° - +130°
6. 适用线规: AWG 22-14
7. 扭矩值: 0.5 N.m

	pitch dimension			Nominal dimension					—
	over 0	over 6	over 10	over 0	over 30	over 60	over 100	over 150	
variable range	to 6	to 10	to 24	to 30	to 60	to 100	to 150		▱
Tolerance	±0.1	±0.15	±0.25	±0.2	±0.3	±0.5	±0.7	±1.0	⌒

5	M2.5自攻螺丝	SQZ0A250001Y	2	碳钢	镀锌	
4	LW3G-7.62-盖板	5027C70XX0V	1	PC	透明	
3	M3*5.6(6*6)	SPPFA305621Y	P	碳钢	三价铬钝化彩锌	
2	LW3R-7.62-焊脚	5015B0003AV	P	黄铜	镀锡	
1	LW3G-7.62-主体	5027A0YXXAV	1	PBT		
NO.	NAME OF PART		NO. OF PART	Q'TY	MATERIAL	NOTBS
DES.	ZSH	DATE	2016/03/01	UNITS	MM	THIRD ANGLE PROJECTION
CHK.		DATE		SIZE	A4	1 of 1
APP.		DATE		SCALE	1:1	DWG NO. SP-2-5027003 REV: V0
上海联捷电气有限公司 Shanghai Elinker Electric C.O.,LTD					TITLE	LW3GBR-7.62-XP-1Y-00A LW3GBR-7.62-成品