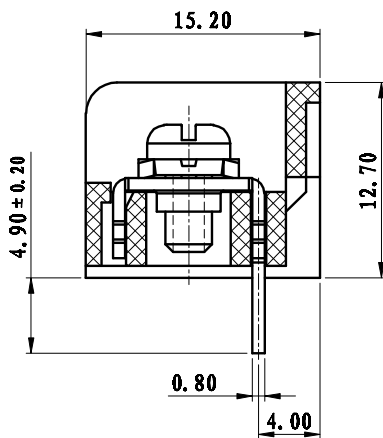
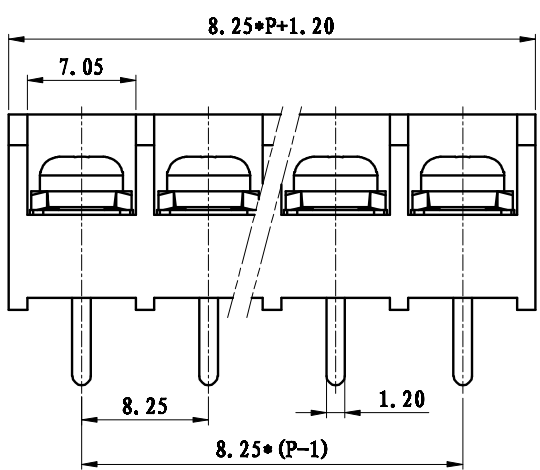
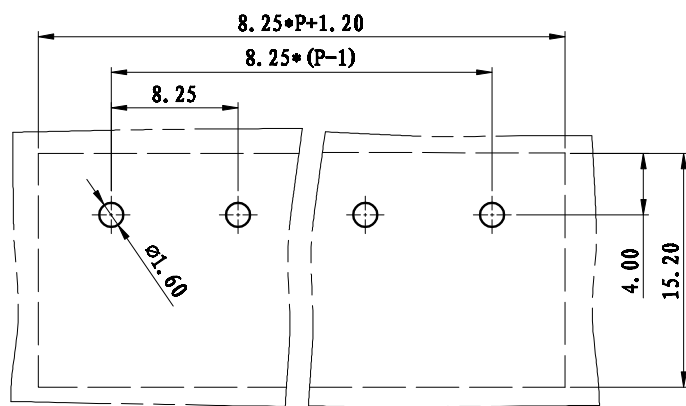
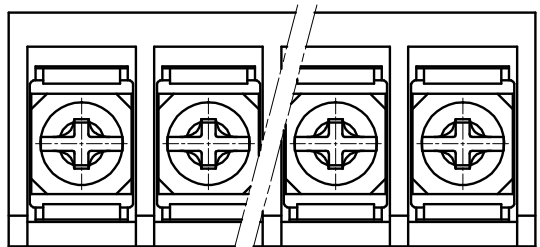


REVISION RECORD			
REV.	CONTENT	MOD.	DATE
△	初版发行		




NOTES:
 Pitch: 8.25mm
 Rated Voltage: 300V
 Rated Current: 20 A
 Withstand Voltage:
 AC2500V for 1 minute
 Insulation Resistance:
 500MΩ / DC500V
 Using Temperature Range:
 -40°C ~ +130°C
 Wire range: 22-12 AWG
 Screw Torque Value: 0.5Nm

技术要求:
 间距: 8.25mm
 额定电压: 300V
 额定电流: 20A
 耐电压值: AC2500V/min
 绝缘阻抗: 500MΩ/DC500V
 使用条件: -40°C~+130°C
 适用线规: 22-12 AWG
 螺丝扭矩: 0.5Nm

	pitch dimension			Nominal dimension					— /
	over	over	over	over	over	over	over	over	
variable	0	6	10	0	30	60	100	150	/
range	to	to	to	to	to	to	to	to	
	6	10	24	30	60	100	150		
Tolerance	±0.1	±0.15	±0.25	±0.2	±0.3	±0.5	±0.7	±1.0	0.05/10

3.	M3*6 (6.5*6.5)	SPTFA306031V	P	碳钢	三价钝化彩锌
2.	LW3B-8.25-焊脚	5001B0001AV	P	黄铜	镀锡
1.	LW3-8.25-本体	5001A001XAV	1	PBT	
NO.	NAME OF PART	NO. OF PART	Q'TY	MATERIAL	NOTES
DES.	ARKING	DATE	2010/5/8	UNITS	mm
CHK.		DATE		SIZE	A4
APP.		DATE		SCALE	1:1
				DWG NO.	SP-2-5001001
				REV.	V0
				TITLE	LW3B-8.25-XP-1Y-00A
					LW3B-8.25-成品

 **上海联捷电气有限公司**
 Shanghai Elinker Electric Co., Ltd