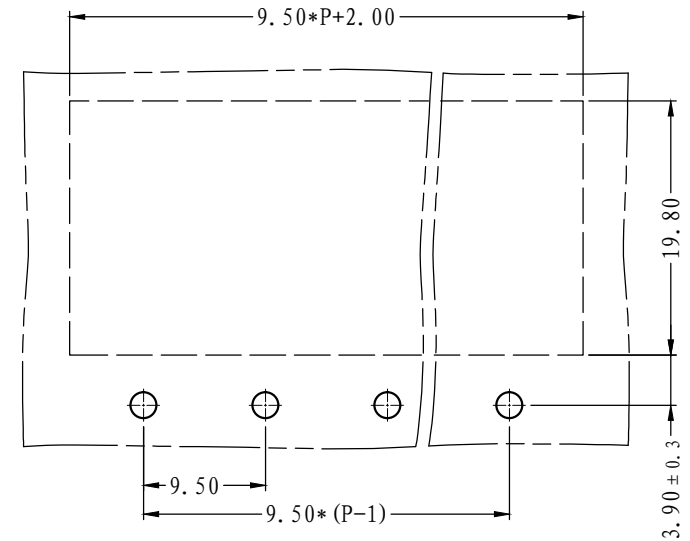
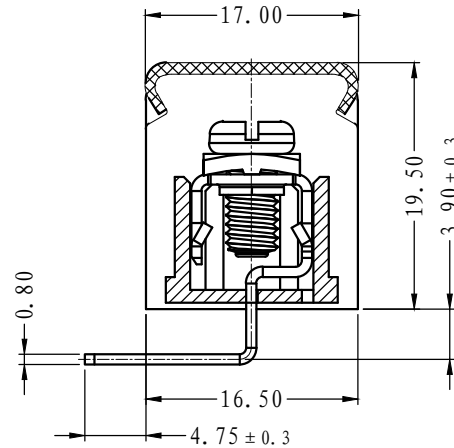
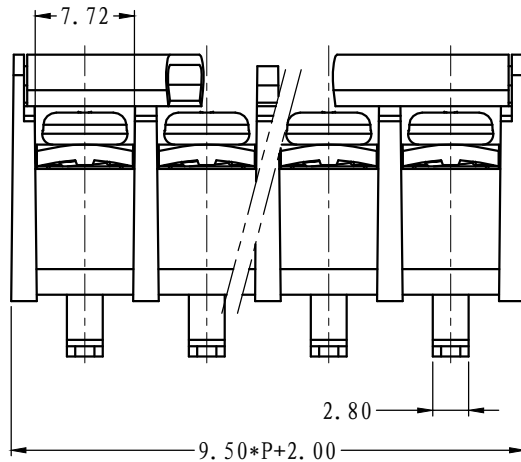
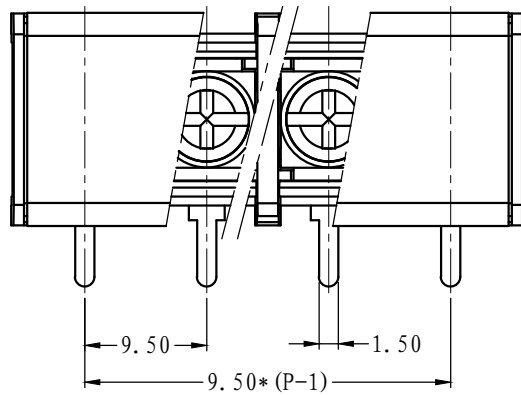


REVISION RECORD			
REV.	CONTENT	MOD.	DATE
△	初版发行		



NOTES:
 Pitch : 9.5mm
 Rated Voltage : 300V
 Rated Current : 20 A
 Withstand Voltage :
 AC2500V for 1 minute
 Insulation Resistance :
 1000MΩ / DC500V
 Using Temperature Range :
 -40℃ ~ +130℃
 Wire range : 22~12 AWG
 Screw Torque Value : 1.2Nm

技术要求:
 间距: 9.5mm
 额定电压: 300V
 额定电流: 20A
 耐电压值: AC2500V/min
 绝缘阻抗: 1000MΩ/DC500V
 使用条件: -40℃~+130℃
 适用线规: 22~12 AWG
 螺丝扭矩: 1.2Nm

	Pitch dimension			Nominal dimension					— ▭ ○
	over 0 to 6	over 6 to 10	over 10 to 24	over 0 to 30	over 30 to 60	over 60 to 100	over 100 to 150		
variable range									
Tolerance	±0.1	±0.15	±0.25	±0.2	±0.3	±0.5	±0.7	±1.0	0.05/10

4	LW2-9.5-盖板	5013C0YXXAV	1	PC	
3	LW1R-9.5-焊脚	5002B00040V	P	黄铜	镀雾锡
2	M4*8-7.5*7.5	SQFFA408043V	P	碳钢	三价铬钝化彩锌
1	LW2-9.5-本体	5013A0YXXAV	1	PBT	
NO.	NAME OF PART	NO. OF PART	Q' TY	MATERIAL	NOTES
DES.	ARKINE	DATE	11/03/23	UNITS	MM
CHK.		DATE		SIZE	A4
APP.		DATE		SCALE	1:1
				DWG NO.	SP-2-5013004
				REV:	V0
 上海联捷电气有限公司 Shanghai Elinker Electric C.O,LTD				TITLE	LW2R-9.5-XXP-1Y-00A LW2R-9.5-成品