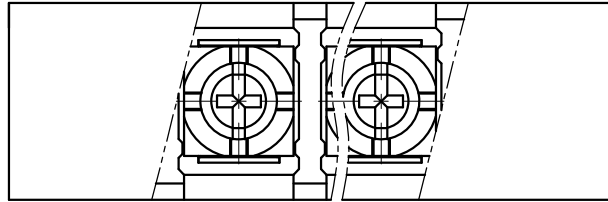
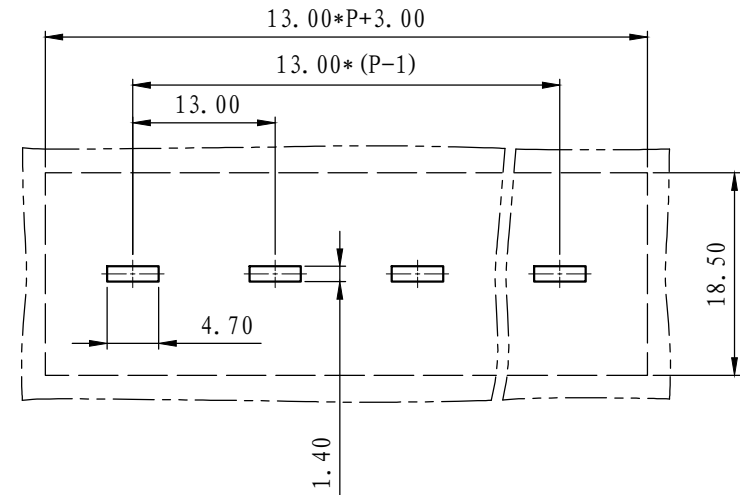
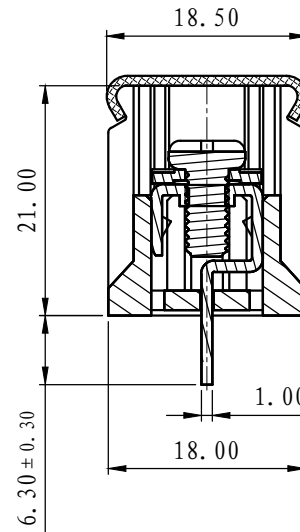
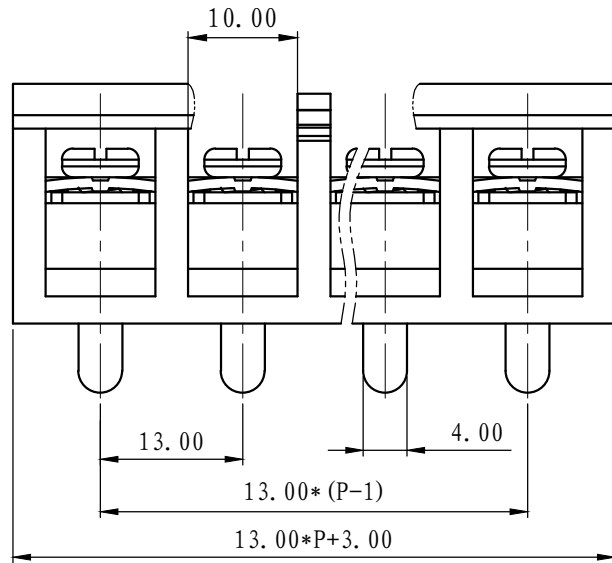


REVISION RECORD			
REV.	CONTENT	MOD.	DATE
△	初版发行		



NOTES:
 Pitch : 13.0mm
 Rated Voltage : 600V
 Rated Current : 40 A
 Withstand Voltage :
 AC3000V for 1 minute
 Insulation Resistance :
 1000MΩ / DC1000V
 Using Temperature Range :
 -40℃ ~ +130℃
 Wire range : 18~10 AWG
 Screw Torque Value : 1.6Nm

技术要求:
 间距: 13.0mm
 额定电压: 600V
 额定电流: 40A
 耐电压值: AC3000V/min
 绝缘阻抗: 1000MΩ/DC1000V
 使用条件: -40℃~+130℃
 适用线规: 18~10 AWG
 螺丝扭矩: 1.6Nm



	pitch dimension			Nominal dimension					—
	over 0	over 6	over 10	over 0	over 30	over 60	over 100	over 150	
variable range	to 6	to 10	to 24	to 30	to 60	to 100	to 150		□
Tolerance	±0.1	±0.15	±0.25	±0.2	±0.3	±0.5	±0.7	±1.0	○

4	LW2-13.0盖板	5022C0YXXAV	1	PC	
3	LW1C-13.0-焊脚	5020B0001AV	P	黄铜	镀雾锡
2	M4*8-10*10	SQFFA408073V	P	碳钢	镀三价铬钝化彩锌
1	LW2-13.0-主体	5022A0YXXAV	1	PBT	UL94, V-0
NO.	NAME OF PART	NO. OF PART	Q'TY	MATERIAL	NOTES
DES.	XLM	DATE	2012/4/27	UNITS	mm
CHK.	DATE	SIZE	A4	THIRD ANGLE PROJECTION	
APP.	DATE	SCALE	1:1	DWG NO.	SP-2-5022001 REV: V0
上海联捷电气有限公司 Shanghai Elinker Electric CO.,LTD				TITLE	LW2C-13.0-XXP-1Y-00A LW2C-13.0-成品