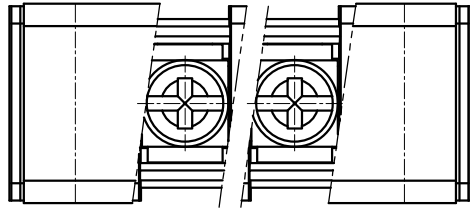
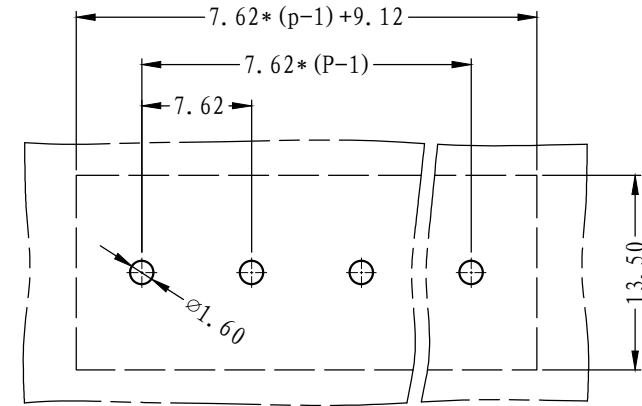
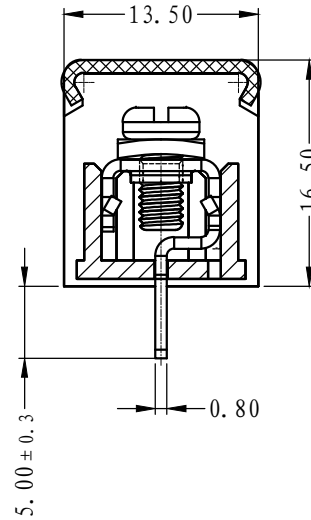
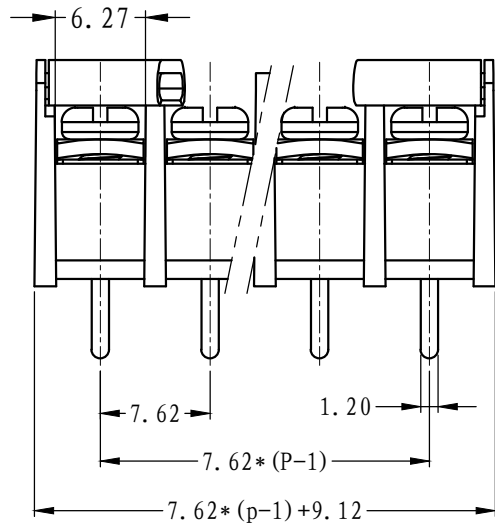


REVISION RECORD			
REV.	CONTENT	MOD.	DATE
△	初版发行		



NOTES:  
 Pitch : 7.62mm  
 Rated Voltage : 300V  
 Rated Current : 15 A  
 Withstand Voltage :  
 AC2500V for 1 minute  
 Insulation Resistance :  
 1000MΩ / DC500V  
 Using Temperature Range :  
 -40℃ ~ +130℃  
 Wire range : 22~14 AWG  
 Screw Torque Value : 0.8Nm

技术要求:  
 间距: 7.62mm  
 额定电压: 300V  
 额定电流: 15A  
 耐电压值: AC2500V/min  
 绝缘阻抗: 1000MΩ/DC500V  
 使用条件: -40℃~+130℃  
 适用线规: 22~14 AWG  
 螺丝扭矩: 0.8Nm



	pitch dimension			Nominal dimension				— □ ○
	over 0 to 6	over 6 to 10	over 10 to 24	over 0 to 30	over 30 to 60	over 60 to 100	over 100 to 150	
variable range	0	6	10	0	30	60	100	150
Tolerance	±0.1	±0.15	±0.25	±0.2	±0.3	±0.5	±0.7	±1.0

4	LW2-7.62-盖板	5021COYXXAV	1	PC	
3	M3*6-6*6	SQFFA306023V	P	碳钢	三价铬钝化彩锌
2	LW1C-7.62-焊脚	5010B0001AV	P	黄铜	镀雾锡
1	LW2-7.62-主体	5021A0YXXAV	1	PBT	
NO.	NAME OF PART	NO. OF PART	Q' TY	MATERIAL	NOTES
DES.	ARKINE	DATE	11-05-10	UNITS	MM
CHK.		DATE		SIZE	A4
APP.		DATE		SCALE	1:1
				DWG NO.	SP-2-5021001
				REV:	V0
上海联捷电气有限公司 Shanghai Elinker Electric CO., LTD				TITLE	LW2C-7.62-XXP-1Y-00A LW2C-7.62-成品