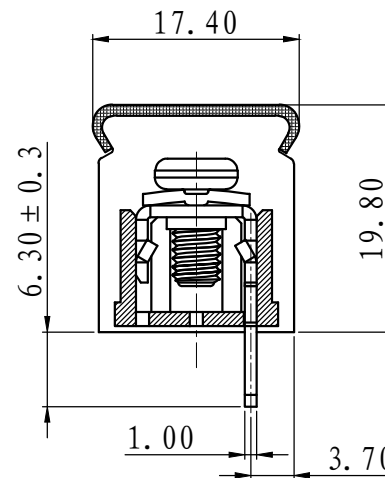
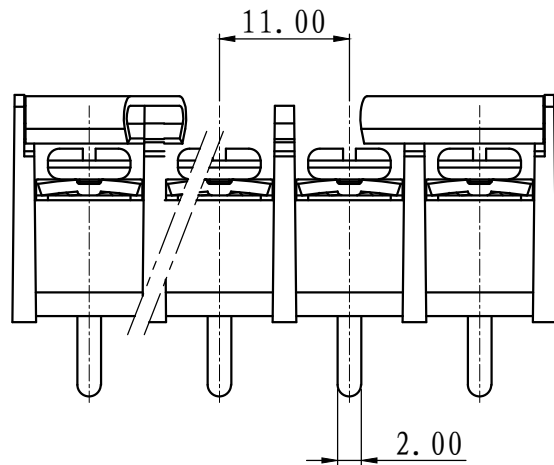
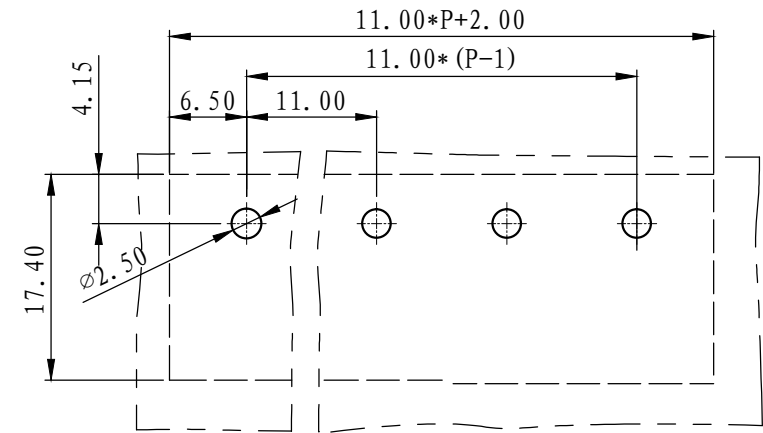
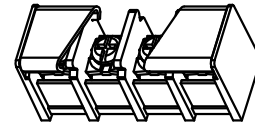
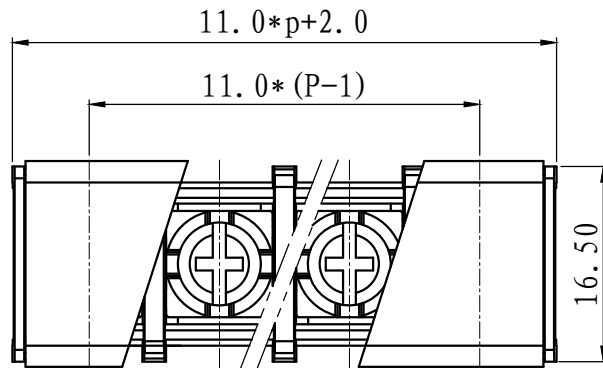


REVISION RECORD			
REV.	CONTENT	MOD.	DATE
△	初版发行		



NOTES:

1. Voltage Rating: 300V, Current Rating: 20A
2. PITCH: 11.0mm
3. Insulation Withstands Voltage: AC2500V/min
4. Insulation Resistance: 1000MΩ or more at DC500V
5. Using Temperature Range: -40° C - +130° C
6. Suitable Electric Wire: AWG 22-12
7. Screw Torque Value: 1.2 N.m

技术要求:

1. 额定电压: 300V, 额定电流: 20A
2. 间距: 11.0mm
3. 耐受电压值: AC 2500V/min
4. 绝缘阻抗: 1000兆欧
5. 使用条件: -40° - +130°
6. 适用线规: AWG 22-12
7. 螺丝扭力: 1.2N.m

	pitch dimension			Nominal dimension					—
	over 0	over 6	over 10	over 0	over 30	over 60	over 100	over 150	
variable range	0 to 6	6 to 10	10 to 24	0 to 30	30 to 60	60 to 100	100 to 150		□
Tolerance	±0.1	±0.15	±0.25	±0.2	±0.3	±0.5	±0.7	±1.0	○

4	LW2-11.0盖子	5012C70XXAV	1	PC	透明
3	LW1B-11.0焊脚	5008B0002AV	P	黄铜	镀雾锡
2	M4*8-9*9螺丝	SQFFA408063V	P	碳钢	三价铬钝化彩锌
1	LW2-11.0-本体	5012A0YXXAV	1	PA66-V0	
NO.	NAME OF PART	NO. OF PART	Q' TY	MATERIAL	NOTES
DES.	ARKINE	DATE	11/03/27	UNITS	MM
CHK.		DATE		SIZE	A4
APP.		DATE		SCALE	1:1
				DWG NO.	SP-2-5012002
				REV:	V0
 上海联捷电气有限公司 Shanghai Elinker Electric C.O.,LTD				TITLE	LW2B-11.0-XXP-1Y-00A LW2B-11.0-成品