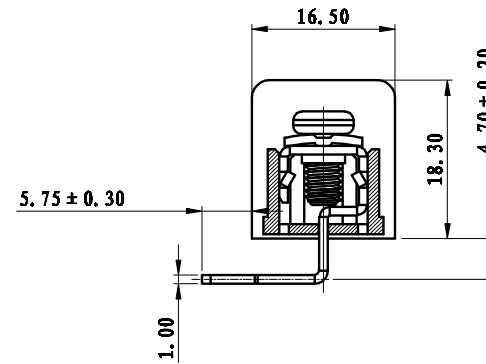
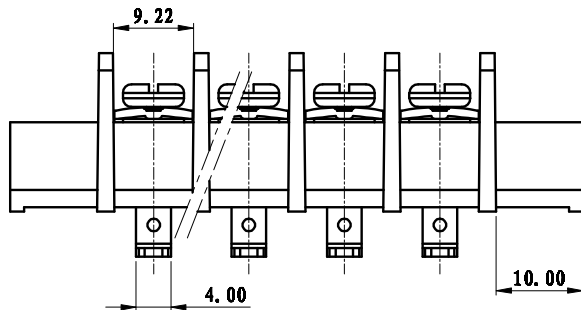
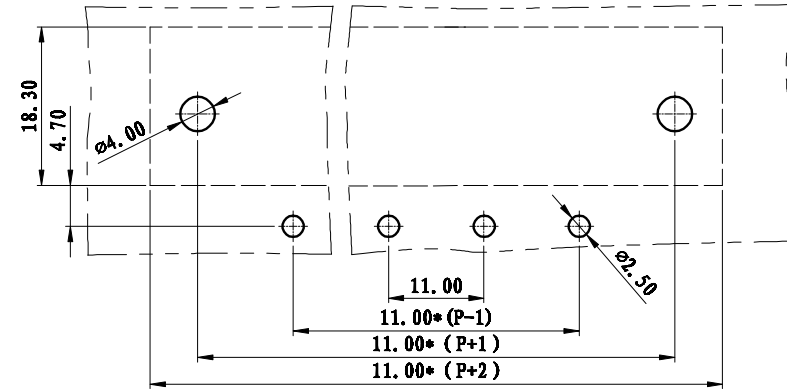
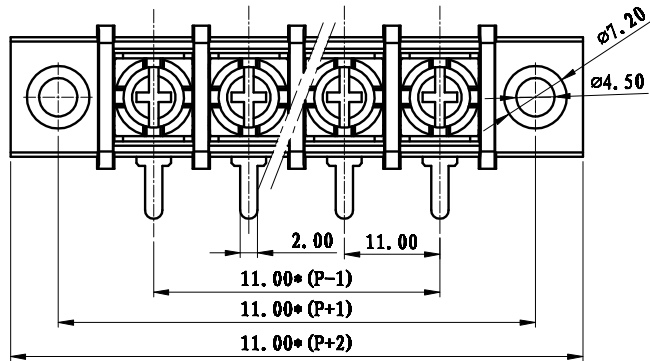


REVISION RECORD			
REV.	CONTENT	MOD.	DATE
△0	初版发行		

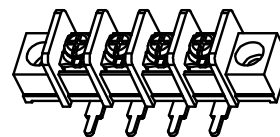


NOTES:

1. Voltage Rating: 300V, Current Rating: 20A
2. PITCH: 11.0mm
3. Insulation Withstands Voltage: AC250V/1min
4. Insulation Resistance: 2MΩ or more at 2500V
5. Using Temperature Range: -40° C ~ +125° C
6. Suitable Electric Wire: AWG 22-22
7. Short Range Value: 1.6kA

技术要求:

- 1.额定电压: 300V, 额定电流: 20A
- 2.间距: 11.0mm
- 3.绝缘耐压: AC 250V/1min
- 4.绝缘电阻: ≥2MΩ
- 5.使用温度: -40° ~ +125°
- 6.适用导线: AWG 22-22
- 7.短路电流: 1.6kA



	pitch dimension			Nominal dimension					—
	over 0	over 6	over 10	over 0	over 30	over 60	over 100	over 150	
variable range	to 6	to 10	to 24	to 30	to 60	to 100	to 150		▱
Tolerance	±0.1	±0.15	±0.25	±0.2	±0.3	±0.5	±0.7	±1.0	○

3	LW1R-11.0焊片	5002B0004AV	P	黄铜	镀锡层
2	M4*8-9*9螺丝	SQFFA40006ZV	P	碳钢	三价铬钝化彩锌
1	LW1M-11.0-本体	5008M0YXXAV	1	PBT	黑色
NO.	NAME OF PART	NO. OF PART	Q'TY	MATERIAL	NOTES
DES.	ARKINE	DATE	11-03-24	UNITS	MM
CHK.		DATE		SIZE	A4
APP.		DATE		SCALE	1: 1
				DWG NO.	SP-1-5008008
				REV:	00
				TITLE	LW1MR-11.0-XP-1Y-00A
					LW1MR-11.0-成品

上海联捷电气有限公司
Shanghai Hlinker Electric C.O., LTD