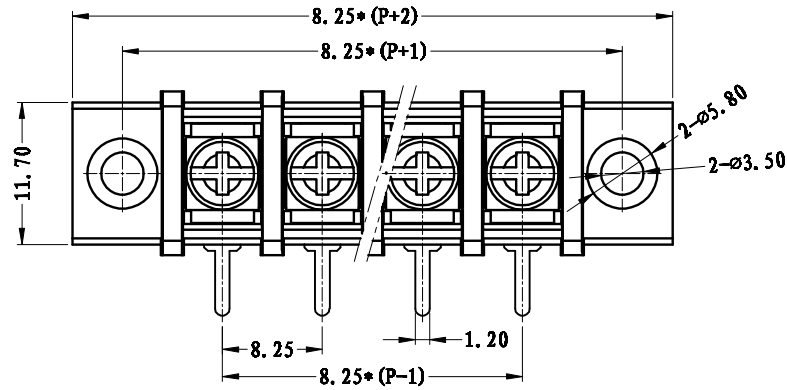
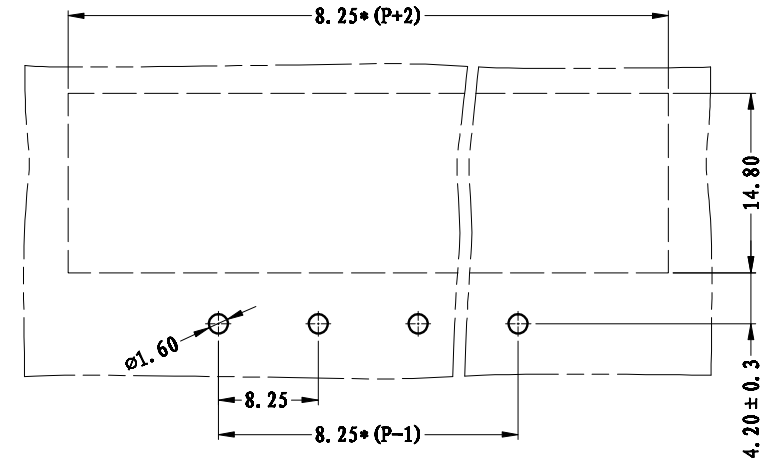
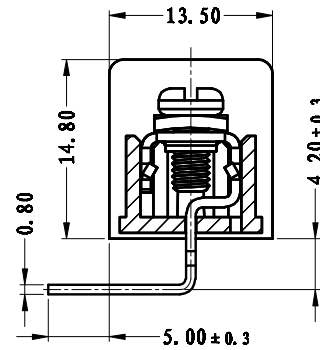
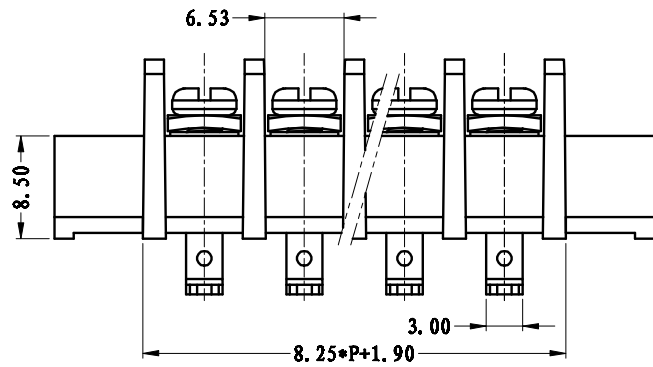


REVISION RECORD			
REV.	CONTENT	MOD.	DATE
△	初版发行		



NOTES:
 Pitch : 8.25mm
 Rated Voltage : 300V
 Rated Current : 20 A
 Withstand Voltage :
 AC2500V for 1 minute
 Insulation Resistance :
 1000MΩ / DC500V
 Using Temperature Range :
 -40℃ ~ +130℃
 Wire range : 22~12 AWG
 Screw Torque Value : 0.5Nm

技术要求:
 间距: 8.25mm
 额定电压: 300V
 额定电流: 20A
 耐电压值: AC2500V/min
 绝缘阻抗: 1000MΩ/DC500V
 使用条件: -40℃~+130℃
 适用线规: 22~12 AWG
 螺丝扭矩: 0.5Nm



	pitch dimension			Nominal dimension					— ◇ ○
	over 0	over 6	over 10	over 0	over 30	over 60	over 100	over 150	
variable range	to 6	to 10	to 24	to 30	to 60	to 100	to 150		
Tolerance	±0.1	±0.15	±0.25	±0.2	±0.3	±0.5	±0.7	±1.0	0.05/10

3	M3*6-6*6	SQFFA306023V	P	碳钢	三价铬钝化彩锌	
2	LW1R-7.62-焊脚	5010B0004AV	P	黄铜	镀锡	
1	LW1M-8.25-主体	5014M0YXXAV	1	PBT		
NO.	NAME OF PART		NO. OF PART	Q'TY	MATERIAL	NOTES
DES.	ARKINE	DATE	11-05-10	UNITS	MM	THIRD ANGLE PROJECTION
CHK.		DATE		SIZE	A4	1 of 1
APP.		DATE		SCALE	1:1	DWG NO. SP-2-5014008 REV: V0
上海联捷电气有限公司 Shanghai Elinker Electric C.O., LTD					TITLE	LW1MR-8.25-XXP-1Y-00A
						LW1MR-8.25-成品