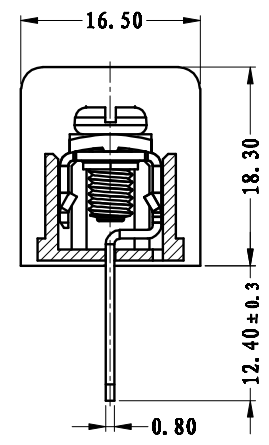
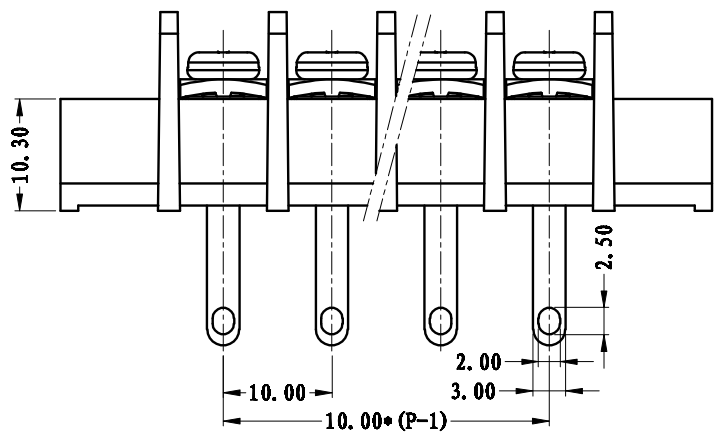
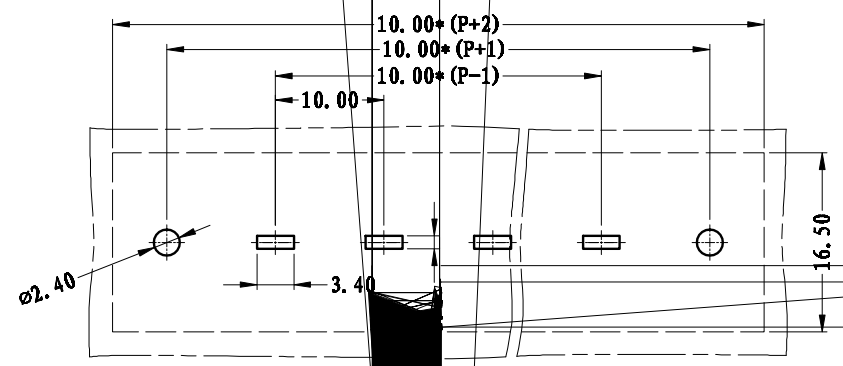
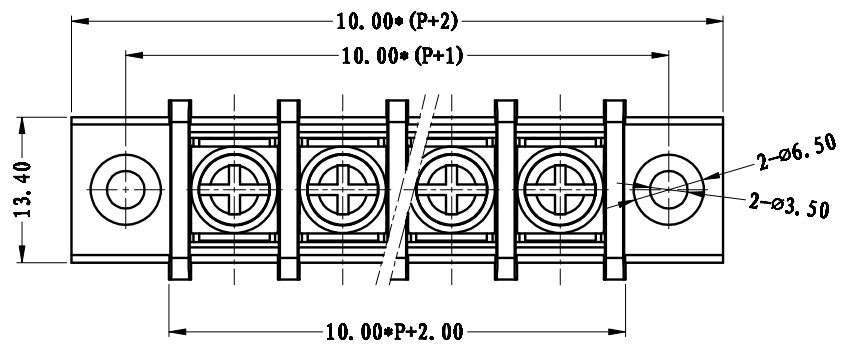


REVISION		RECORD	
REV.	CONTENT	MOD.	DATE
0	初版发行		



技术要求:
 间距: 10.0mm
 额定电压: 300V
 额定电流: 20A
 额定电压: 300V
 额定电流: 20A
 耐电压值: AC2500V/min
 绝缘阻抗: 1000MΩ / DC500V
 使用条件: -40℃~+130℃
 适用线规: 22~12 AWG
 螺丝扭矩值: 1.2Nm

技术要求:
 间距: 10.0mm
 额定电压: 300V
 额定电流: 20A
 耐电压值: AC2500V/min
 绝缘阻抗: 1000MΩ / DC500V
 使用条件: -40℃~+130℃
 适用线规: 22~12 AWG
 螺丝扭矩: 1.2Nm

	pitch dimension			Nominal dimension					—
	over 0	over 6	over 10	over 0	over 30	over 60	over 100	over 150	
variable range	to 6	to 10	to 24	to 30	to 60	to 100	to 150		▱
Tolerance	±0.1	±0.15	±0.25	±0.2	±0.3	±0.5	±0.7	±1.0	○

3	M4*8-7.5	S	SQFFA408043V	P	碳钢	三价铬钝化彩锌
2	LW1Q-9.5	种	5002B0003AV	P	黄铜	镀镍锡
1	LW1M-10.0	体	5009M0YXXAV	1	PBT	
NO.	NAME OF PART		NO. OF PART	Q'TY	MATERIAL	NOTES
DES.	ARKINE	DATE	11-03-25	UNITS	MM	THIRD ANGLE PROJECTION
CHK.		DATE		SIZE	A4	1 of 1
APP.		DATE		SCALE	1:1	DWG NO. SP-2-5009007 REV: V0
上海快捷电气有限公司 Shanghai Blinker Electric C.O.,LTD					TITLE	LW1MQ-10.0-XXP-1Y-00A LW1MQ-10.0-成品