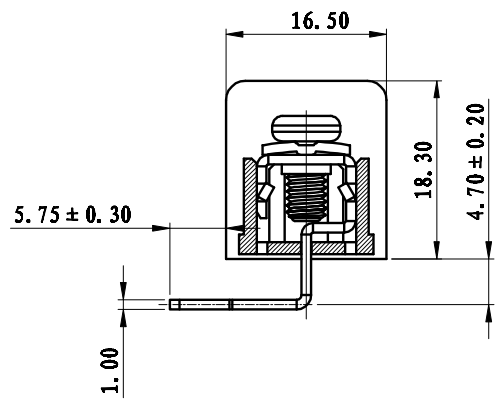
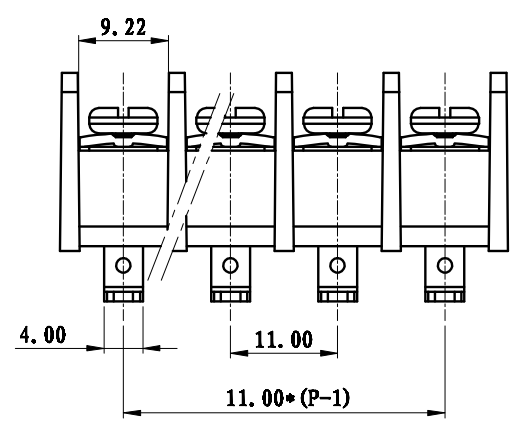
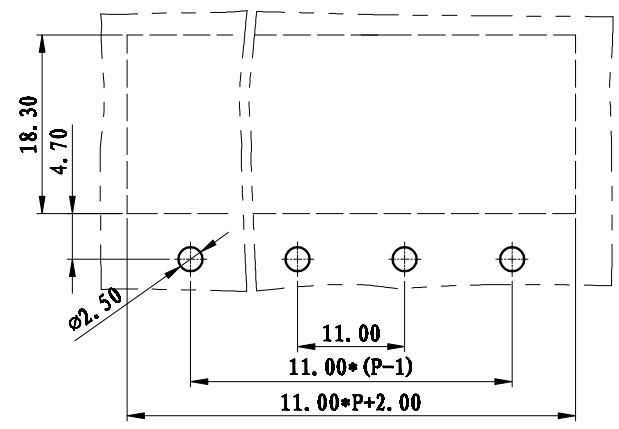
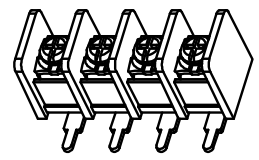
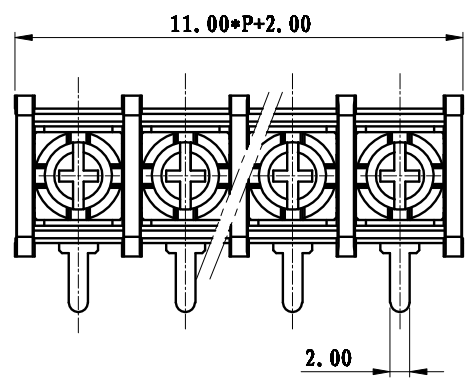


REVISION RECORD		REV.	CONTENT	MOD.	DATE
		△0	初版发行		



- NOTES:
1. Voltage Rating: 300V, Current Rating: 20A
 2. PITCH: 11.0mm
 3. Insulation Withstand Voltage: AC2500V/min
 4. Insulation Resistance: ≥10 or more at 2500V
 5. Using Temperature Range: -40° C ~ +100° C
 6. Suitable Electric Wire: AWG 22-12
 7. Torque Value: 1.6 N.m

- 技术要求:
- 1.额定电压: 300V, 额定电流: 20A
 - 2.间距: 11.0mm
 - 3.耐受电压: AC 2500V/min
 - 4.绝缘电阻: ≥10MΩ
 - 5.使用条件: -40° ~ +100°
 - 6.适用导线: AWG 22-12
 - 7.扭矩值: 1.6N.m

	pitch dimension			Nominal dimension					— /
	over 0	over 6	over 10	over 0	over 30	over 60	over 100	over 150	
variable range	to 6	to 10	to 24	to 30	to 60	to 100	to 150		□ ○
Tolerance	±0.1	±0.15	±0.25	±0.2	±0.3	±0.5	±0.7	±1.0	0.05/10

3	LWIR-11.0焊片	5002B0004AV	P	黄铜	数量
2	M4*8-9*9螺丝	SQFFA40006ZV	P	碳钢	三价铬钝化彩锌
1	LW1-11.0-本体	5008A0YXXAV	1	PBT	
NO.	NAME OF PART	NO. OF PART	Q'TY	MATERIAL	NOTES
DES.	ARKINE	DATE	11-03-24	UNITS	MM
CHK.		DATE		SIZE	A4
APP.		DATE		SCALE	1:1
				DWG NO.	SP-1-5008004
				REV:	V0
上海联捷电气有限公司 Shanghai Hlinker Electric C.O., LTD				TITLE	LWIR-11.0-XP-1Y-00A
					LWIR-11.0-成品