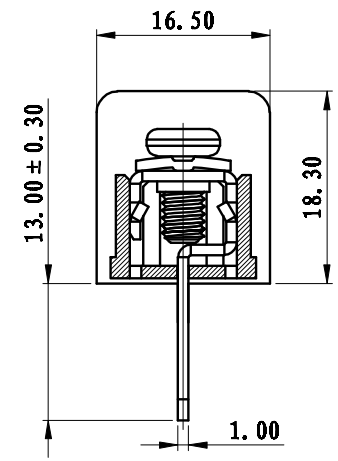
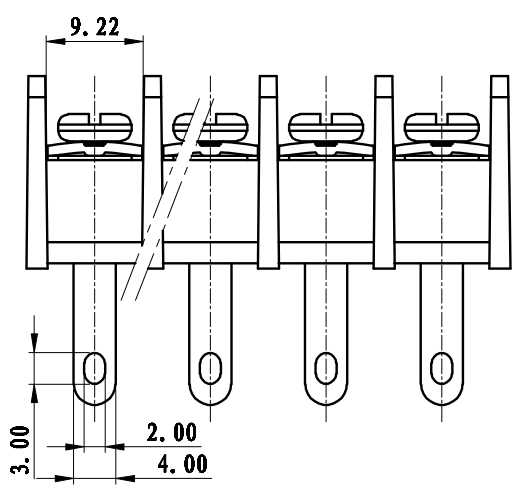
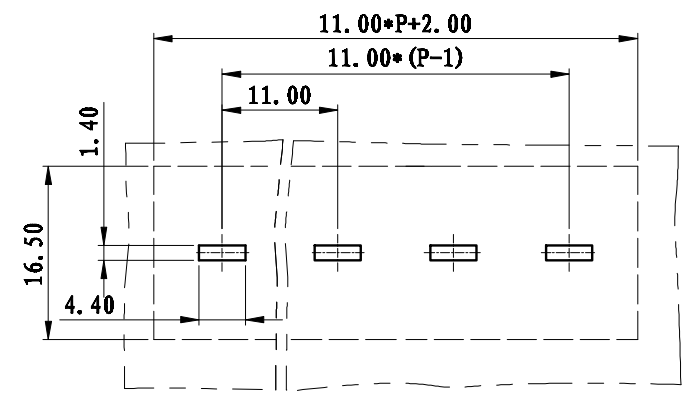
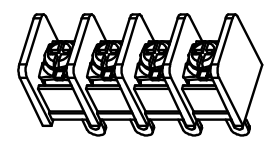
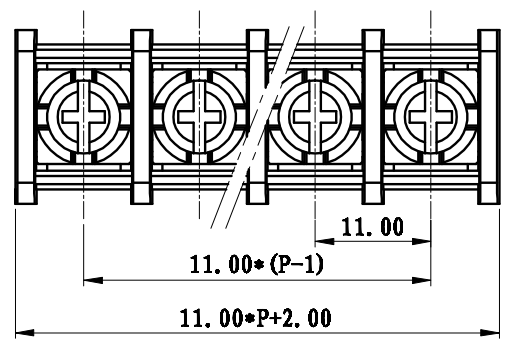


REVISION RECORD			
REV.	CONTENT	MOD.	DATE
△0	初版发行		



NOTES:

1. Voltage Rating: 300V, Current Rating: 20A
2. PITCH: 11.0mm
3. Insulation Withstands Voltage: AC2500V/min
4. Insulation Resistance: ≥10¹¹ or more at 2500V
5. Using Temperature Range: -40° C ~ +130° C
6. Suitable Electric Wire: AWG 22-12
7. Screw Torque Value: 1.6 N.m

技术要求:

- 1.额定电压: 300V, 额定电流: 20A
- 2.间距: 11.0mm
- 3.耐受电压值: AC 2500V/min
- 4.绝缘电阻≥10¹¹Ω
- 5.使用条件: -40° - +130°
- 6.适用线径: AWG 22-12
- 7.扭矩值为: 1.6N.m

	pitch dimension			Nominal dimension					— /
	over 0	over 6	over 10	over 0	over 30	over 60	over 100	over 150	
variable range	to 6	to 10	to 24	to 30	to 60	to 100	to 150		
Tolerance	±0.1	±0.15	±0.25	±0.2	±0.3	±0.5	±0.7	±1.0	0.05/10

3	LW1Q-11.0焊脚	5008B0003AV	P	黄铜	镀雾锡
2	M4*8-9*9螺丝	SQFFA408062V	P	碳钢	三价铬钝化彩锌
1	LW1-11.0-本体	5008A0YXXAV	1	PBT	
NO.	NAME OF PART	NO. OF PART	Q'TY	MATERIAL	NOTES
DES.	ARKINE	DATE	11-03-24	UNITS	MM
CHK.		DATE		SIZE	A4
APP.		DATE		SCALE	1:1
				DWG NO.	SP-1-5008003
				REV:	VO
				TITLE	LW1Q-11.0-XP-1Y-00A
					LW1Q-11.0-成品


上海联捷电气有限公司
 Shanghai Hlinker Electric C.O., LTD