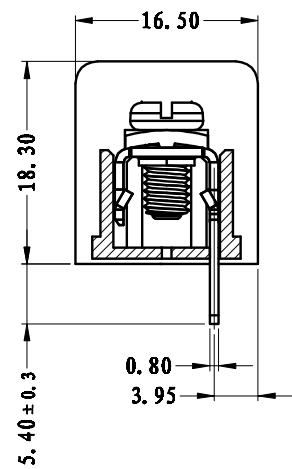
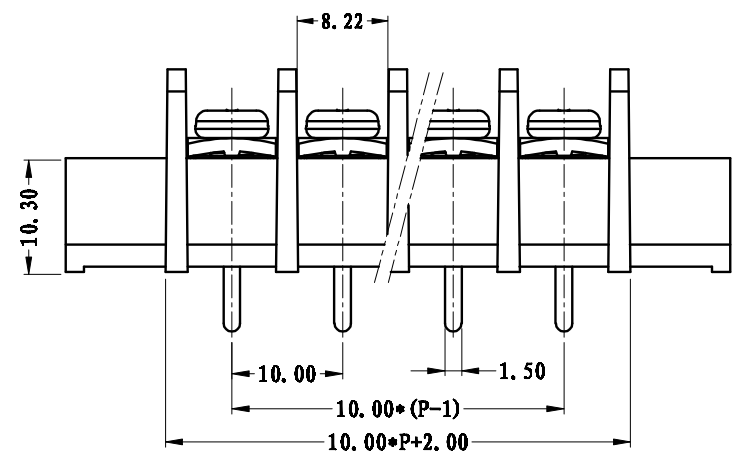
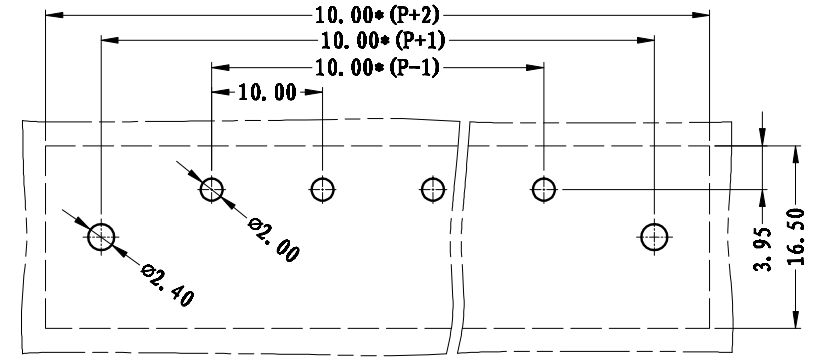
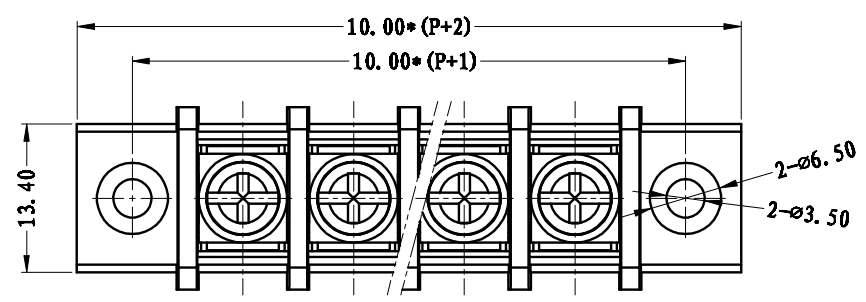


REVISION		RECORD	
REV.	CONTENT	MOD.	DATE
①	初版发行		



**NOTES:**  
 Pitch: 10.0mm  
 Rated Voltage: 300V  
 Rated Current: 20A  
 Withstand Voltage:  
 AC2500V for 1 minute  
 Insulation Resistance:  
 1000MΩ / DC500V  
 Using Temperature Range:  
 -40°C ~ +130°C  
 Wire range: 22~12 AWG  
 Screw Torque Value: 1.2Nm

**技术要求:**  
 间距: 10.0mm  
 额定电压: 300V  
 额定电流: 20A  
 耐电压值: AC2500V/min  
 绝缘阻抗: 1000MΩ / DC500V  
 使用条件: -40°C~+130°C  
 适用线规: 22~12 AWG  
 螺丝扭矩: 1.2Nm

	pitch dimension			Nominal dimension					— /
	over 0	over 6	over 10	over 0	over 30	over 60	over 100	over 150	
variable range	to 6	to 10	to 24	to 30	to 60	to 100	to 150		□ ○
Tolerance	±0.1	±0.15	±0.25	±0.2	±0.3	±0.5	±0.7	±1.0	0.05/10

3	M4*8-7.5*7.5	SQFFA408043V	P	碳钢	三价钝化彩锌		
2	LW1B-9.5-焊脚	5002B0002AV	P	黄铜	镀镍锡		
1	LW1M-10.0-本体	5009M0YXXAV	1	PBT			
NO.	NAME OF PART	NO. OF PART	Q'TY	MATERIAL	NOTES		
DES.	ARKINE	DATE	11-03-25	UNITS	MM	THIRD ANGLE PROJECTION	SHEET
CHK.		DATE		SIZE	A4		1 of 1
APP.		DATE		SCALE	1:1		DWG NO.
				<b>上海联捷电气有限公司</b> Shanghai Blinker Electric C.O.,LTD		TITLE	LW1MB-10.0-XXP-1Y-00A LW1MB-10.0-成品