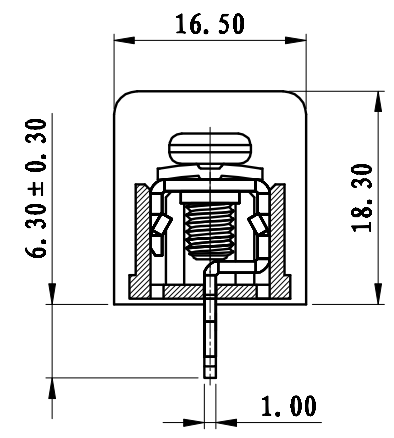
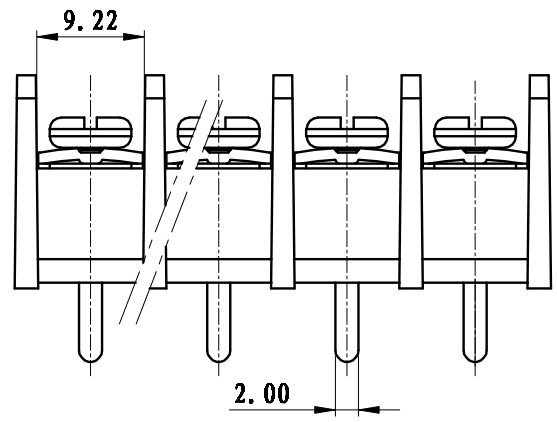
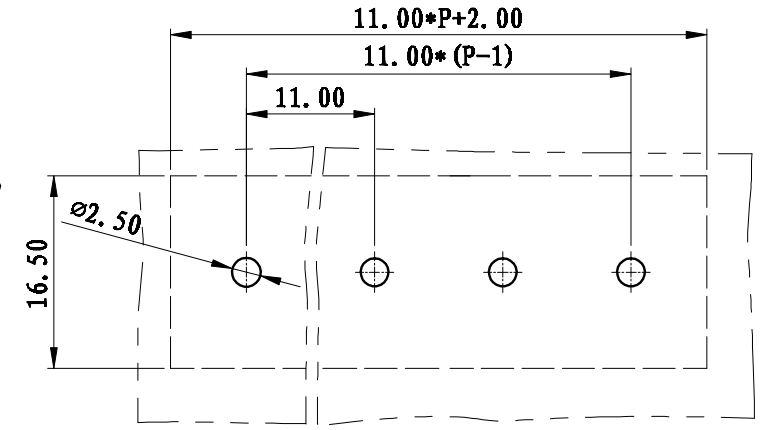
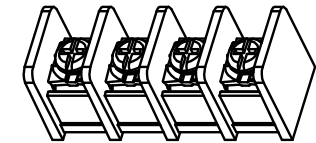
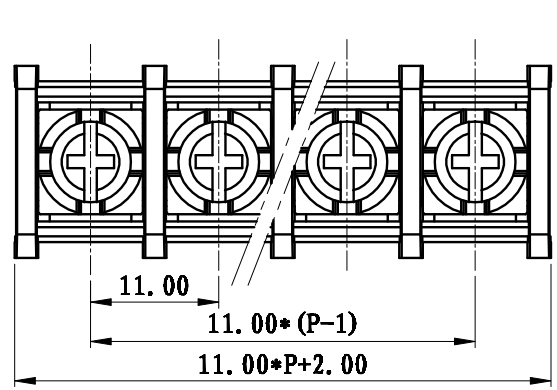


| REVISION RECORD | | | |
|-----------------|---------|------|------|
| REV. | CONTENT | MOD. | DATE |
| ▲ | 初版发行 | | |



- NOTES:**
1. Voltage Rating: 300V, Current Rating: 20A
 2. PITCH: 11.0mm
 3. Insulation Withstands Voltage: AC2500V/min
 4. Insulation Resistance: ≥10Ω or more at DC500V
 5. Using Temperature Range: -40° C - +130° C
 6. Suitable Electric Wire: AWG 22-12
 7. Screw Torque Value: 1.6 N.m

- 技术要求:**
1. 额定电压: 300V, 额定电流: 20A
 2. 间距: 11.0mm
 3. 耐受电压值: AC 2500V/min
 4. 绝缘电阻≥10Ω
 5. 使用条件: -40° - +130°
 6. 适用线径: AWG 22-12
 7. 扭矩值为: 1.6N.m

| | pitch dimension | | | Nominal dimension | | | | | — / |
|----------------|-----------------|--------|---------|-------------------|---------|---------|----------|----------|--------|
| | over 0 | over 6 | over 10 | over 0 | over 30 | over 60 | over 100 | over 150 | |
| variable range | to 6 | to 10 | to 24 | to 30 | to 60 | to 100 | to 150 | | □ |
| Tolerance | ±0.1 | ±0.15 | ±0.25 | ±0.2 | ±0.3 | ±0.5 | ±0.7 | ±1.0 | ○ |

| 3 | LW1C-11.0焊脚 | 5008B0001AV | P | 黄铜 | 镀雾锡 |
|------|--------------|--------------|----------|----------|---------------------|
| 2 | M4*8-9*9螺丝 | SQFFA408062V | P | 碳钢 | 三价铬钝化彩锌 |
| 1 | LW1-11.0-本体 | 5008A0YXXAV | 1 | PBT | |
| NO. | NAME OF PART | NO. OF PART | Q'TY | MATERIAL | NOTES |
| DES. | ARKINH | DATE | 11-03-24 | UNITS | MM |
| CHK. | | DATE | | SIZE | A4 |
| APP. | | DATE | | SCALE | 1:1 |
| | | | | DWG NO. | SP-1-5008001 |
| | | | | TITLE | LW1C-11.0-XP-1Y-00A |
| | | | | | LW1C-11.0-成品 |

上海联捷电气有限公司
Shanghai Hlinker Electric C.O., LTD

THIRD ANGLE PROJECTION
1 of 1
REV: V0