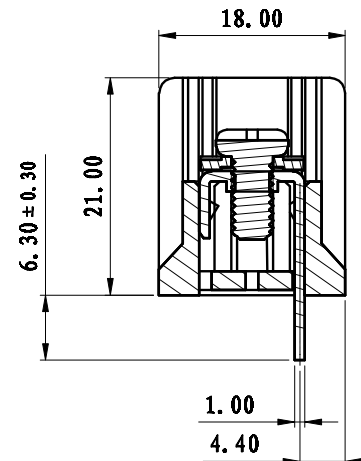
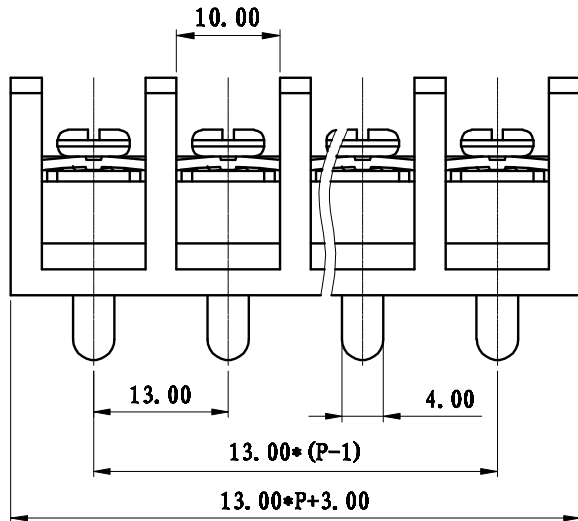
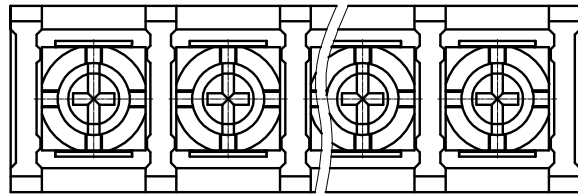


REVISION RECORD			
REV.	CONTENT	MOD.	DATE
①	初版发行		

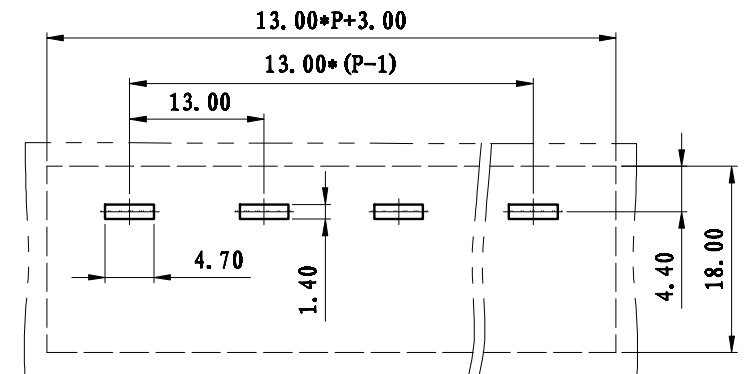


NOTES:

Pitch : 13.0mm
 Rated Voltage : 600V
 Rated Current : 40 A
 Withstand Voltage :
 AC3000V for 1 minute
 Insulation Resistance :
 1000MΩ / DC1000V
 Using Temperature Range :
 -40℃ ~ +130℃
 Wire range : 18~10 AWG
 Screw Torque Value : 1.6Nm

技术要求:

间距: 13.0mm
 额定电压: 600V
 额定电流: 40A
 耐电压值: AC3000V/min
 绝缘阻抗: 1000MΩ/DC1000V
 使用条件: -40℃~+130℃
 适用线规: 18~10 AWG
 螺丝扭矩: 1.6Nm



	pitch dimension			Nominal dimension					—
	over	over	over	over	over	over	over	over	
variable	0	6	10	0	30	60	100	150	◇
range	to	to	to	to	to	to	to	to	
	6	10	24	30	60	100	150		○
Tolerance	±0.1	±0.15	±0.25	±0.2	±0.3	±0.5	±0.7	±1.0	0.05/10

3	LW1B-13.0-焊脚	5020B0002AV	P	黄铜	镀锡
2	M4*8-10*10	SQFFA408073V	P	碳钢	三价钝化彩锌
1	LW1-13.0-主体	5020A0YXXAV	1	PBT	
NO.	NAME OF PART	NO. OF PART	QTY	MATERIAL	NOTES
DES.	XLM	DATE	2012/4/27	UNITS	mm
CHK.		DATE		SIZE	A4
APP.		DATE		SCALE	1:1
				DWG NO.	SP-2-5020002
				REV:	V0
				TITLE	LW1B-13.0-XXX-1Y-00A
					LW1B-13.0-成品

上海联捷电气有限公司
 Shanghai Elinker Electric CO.,LTD