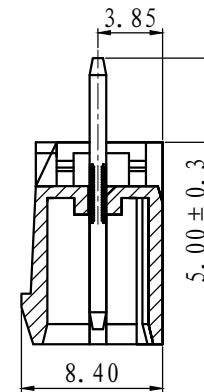
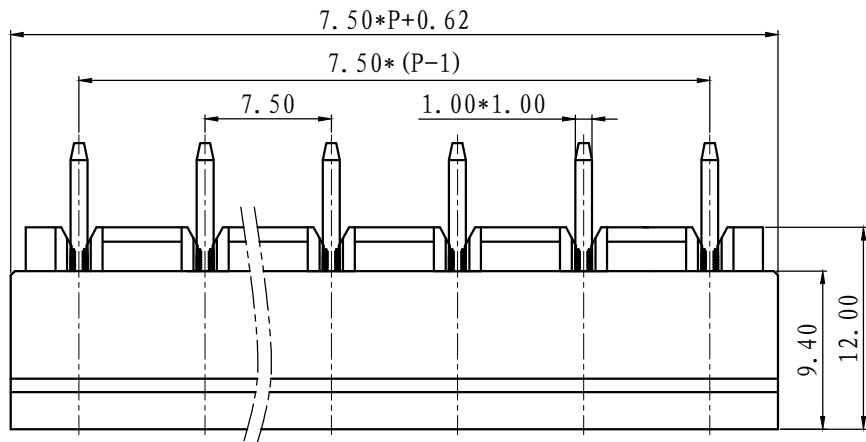
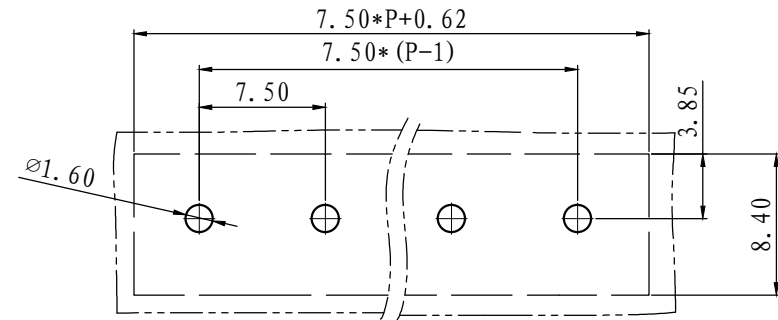
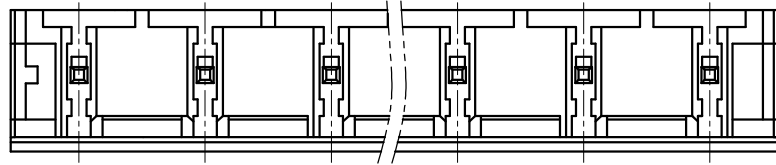


REVISION RECORD			
REV.	CONTENT	MOD.	DATE
△	初版发行		



NOTES:

1. Voltage Rating: 300V, Current Rating: 15A
2. PITCH: 7.5mm
3. Insulation Withstands Voltage: AC2500V/min
4. Using Temperature Range: -40°C- +105°C
5. Pole: 2-12P

技术要求:

1. 额定电压: 300V, 额定电流: 15A
2. 间距: 7.5mm
3. 耐电压值: AC 2500V/min
4. 使用条件: -40°C- +105°C
5. 极数: 2-12P

SECTION A-A

	pitch dimension			Nominal dimension					—
	over 0	over 6	over 10	over 0	over 30	over 60	over 100	over 150	
variable range	to 6	to 10	to 24	to 30	to 60	to 100	to 150		□
									○
Tolerance	±0.1	±0.15	±0.25	±0.2	±0.3	±0.5	±0.7	±1.0	0.05/10

2	LSZ1-5.08-直针	1055B0001AV	P	黄铜	镀雾锡
1	LSZ1-7.5-主体	1092A0YXXAV	1	PA66	
NO.	NAME OF PART	NO. OF PART	Q'TY	MATERIAL	NOTES
DES.	LDD	DATE 2012/08/15	UNITS	mm	THIRD ANGLE PROJECTION SHEET
CHK.	DATE		SIZE	A4	1 of 1
APP.	DATE		SCALE	1: 1	DWG NO. SP-1-1092A01 REV: V0
 上海联捷电气有限公司 Shanghai Elinker Electric CO.,LTD				TITLE	LSZ1V-7.5-XXP-1Y-00A LSZ1V-7.5-成品