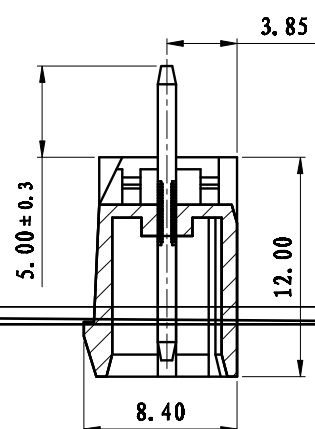
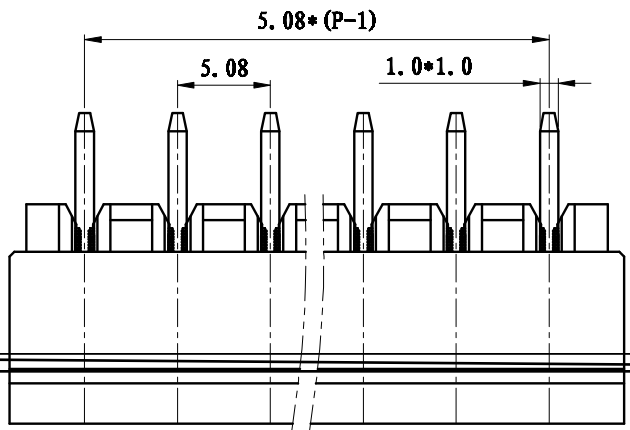
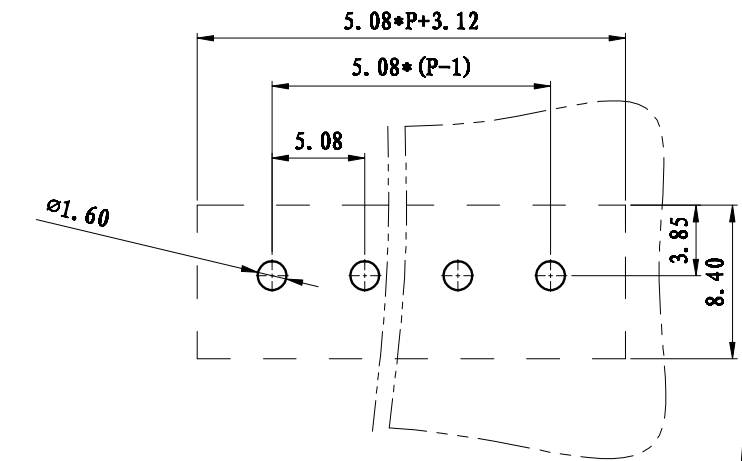


REVISION		ORD	
REV.	CONTEN	MOD.	DATE
△	初版发行		



技术要求:
 间距: 5.08mm
 额定电压: 300V
 额定电流: 15A
 耐电压值: AC2000V
 绝缘阻抗: 500MΩ
 使用条件: -40℃~125℃

	pitch dimension			Nominal dimension					—
	over 0 to 6	over 6 to 10	over 10 to 24	over 0 to 30	over 30 to 60	over 60 to 100	over 100 to 150	□	
variable range	0 to 6	6 to 10	10 to 24	0 to 30	30 to 60	60 to 100	100 to 150	○	
Tolerance	±0.1	±0.15	±0.25	±0.2	±0.3	±0.5	±0.7	±1.0	0.05/10

2	LSZ1-5.08-直针	1055B0001AV	P	黄铜	镀锡
1	LSZ1-5.08-主体	1055A0YXXAV	1	PA66-V0	
NO.	NAME OF PART	NO. OF PART	Q'TY	MATERIAL	NOTES
DES.	LDD	DATE	2012/08/15	UNITS	mm
CHK.		DATE		SIZE	A4
APP.		DATE		SCALE	
				DWG NO.	SP-2-1055001
				TITLE	LSZ1V-5.08-成品

上海联捷电气有限公司
 Shanghai Elinker Electric CO.,LTD