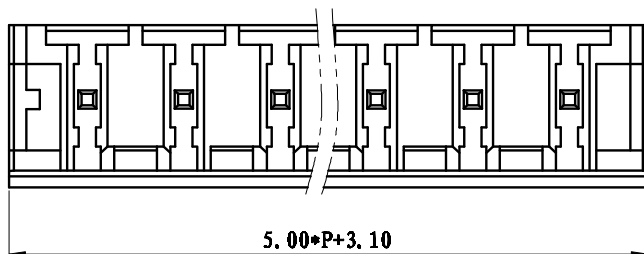
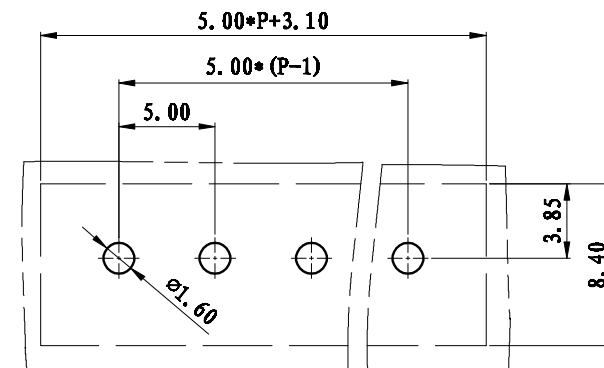
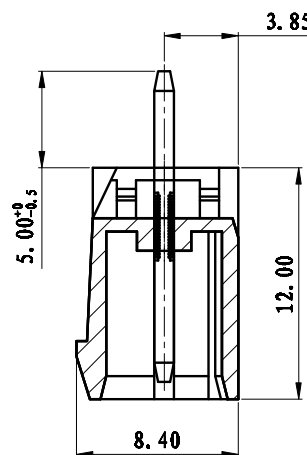
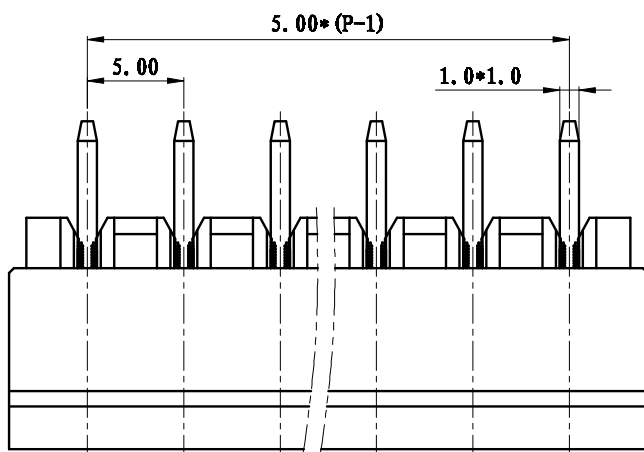


REVISION RECORD			
REV.	CONTENT	MOD.	DATE
①	初版发行		



NOTES:  
 Pitch : 5.0mm  
 Rated Voltage : 300 V  
 Rated Current : 15 A  
 Withstand Voltage :  
 AC2500V for 1 minute  
 Insulation Resistance :  
 500MΩ / DC500V  
 Using Temperature Range :  
 -40℃ ~ +105℃

技术要求:  
 间距: 5.0mm  
 额定电压: 300V  
 额定电流: 15A  
 耐电压值: AC2500V/min  
 绝缘阻抗: 500MΩ/DC500V  
 使用条件: -40℃~+105℃



	pitch dimension			Nominal dimension					— /
	over 0 to 6	over 6 to 10	over 10 to 24	over 0 to 30	over 30 to 60	over 60 to 100	over 100 to 150	over 150	
variable range	0	6	10	0	30	60	100	150	□
Tolerance	±0.1	±0.15	±0.25	±0.2	±0.3	±0.5	±0.7	±1.0	○

2	LSZ1-5.08直针	1055B0001AV	P	黄铜	镀雾锡
1	LSZ1-5.0-主体	1071A0YXXAV	1	PA66	
NO.	NAME OF PART	NO. OF PART	QTY	MATERIAL	NOTES
DES.	LDD	DATE 2012/08/15	UNITS	mm	THIRD ANGLE PROJECTION SHEET
CHK.	DATE		SIZE	A4	1 of 1
APP.	DATE		SCALE	1:1	DWG NO. SP-2-1071001 REV: V0
上海联捷电气有限公司 Shanghai Elinker Electric CO.,LTD				TITLE	LSZ1V-5.0-XP-1V-00A LSZ1V-5.0-成品