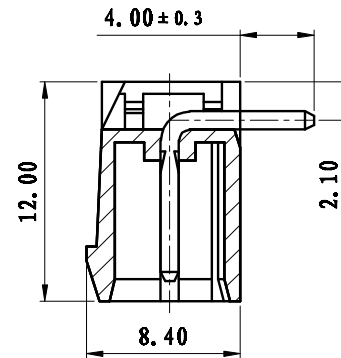
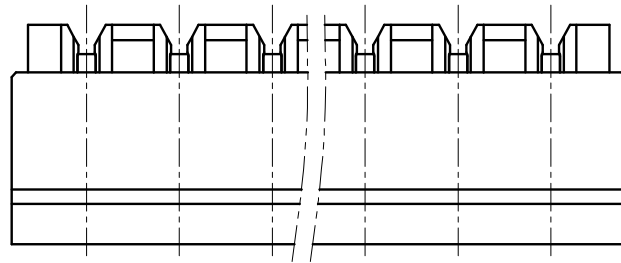
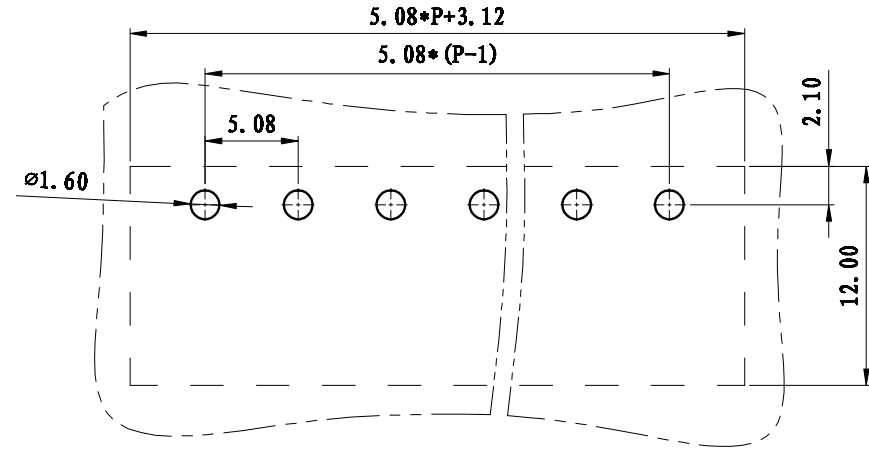
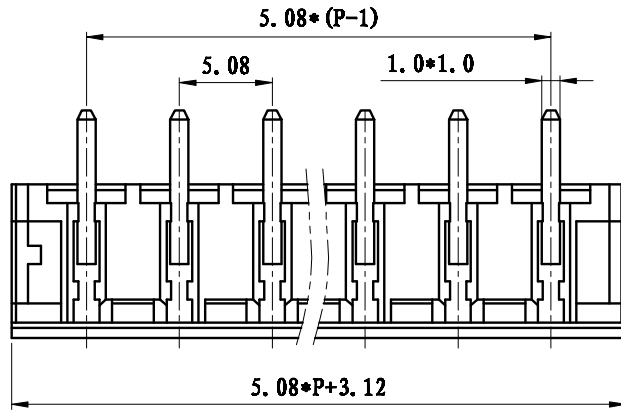


REVISION RECORD			
REV.	CONTENT	MOD.	DATE
①	初版发行		



NOTES:

Pitch : 5.08mm
 Rated Voltage : 300 V
 Rated Current : 15 A
 Withstand Voltage :
 AC2500V for 1 minute
 Insulation Resistance :
 500M Ω / DC500V
 Using Temperature Range :
 -40 $^{\circ}$ C ~ +105 $^{\circ}$ C

技术要求:
 间距: 5.08mm
 额定电压: 300V
 额定电流: 15A
 耐电压值: AC2500V/min
 绝缘阻抗: 500M Ω /DC500V
 使用条件: -40 $^{\circ}$ C ~ +105 $^{\circ}$ C

	pitch dimension			Nominal dimension					— /
	over 0 to 6	over 6 to 10	over 10 to 24	over 0 to 30	over 30 to 60	over 60 to 100	over 100 to 150	— /	
variable range	0 to 6	6 to 10	10 to 24	0 to 30	30 to 60	60 to 100	100 to 150	— /	
Tolerance	±0.1	±0.15	±0.25	±0.2	±0.3	±0.5	±0.7	±1.0 0.05/10	

2	LZ1-5.08-弯针(1.3)	1015B0008AV	P	黄铜	镀锡
1	LSZ1-5.08-主体	1055A0YXXAV	1	PA66-V0	
NO.	NAME OF PART	NO. OF PART	Q'TY	MATERIAL	NOTES
DES.	LDD	DATE 2012/08/15	UNITS	mm	THIRD ANGLE PROJECTION SHEET
CHK.		DATE	SIZE	A4	① 1 of 1
APP.		DATE	SCALE	DWG NO.	SP-2-1055002 REV: V0
上海联捷电气有限公司 Shanghai Elinker Electric CO.,LTD				TITLE	
				LSZ1R-5.08-XP-1Y-00A	
				LSZ1R-5.08-成品	