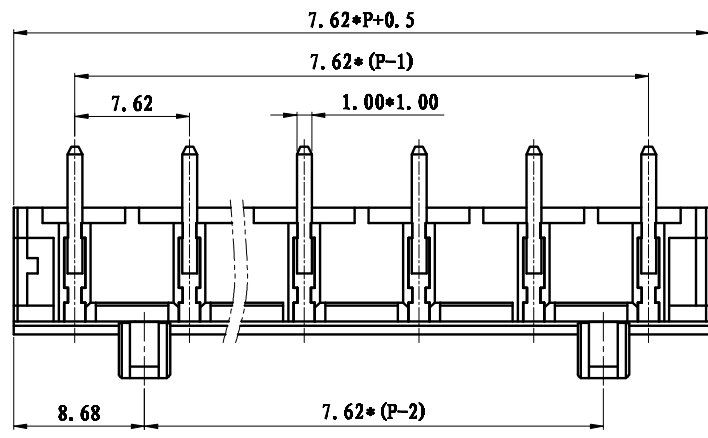
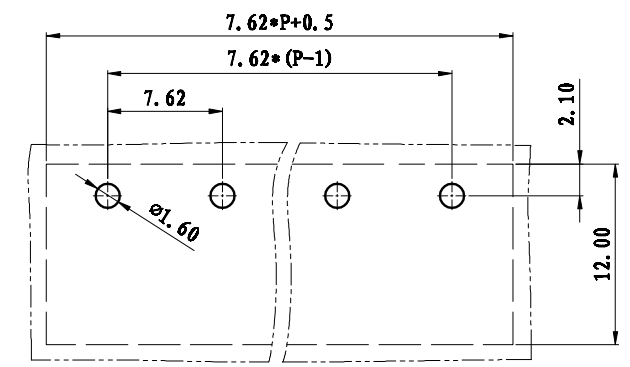
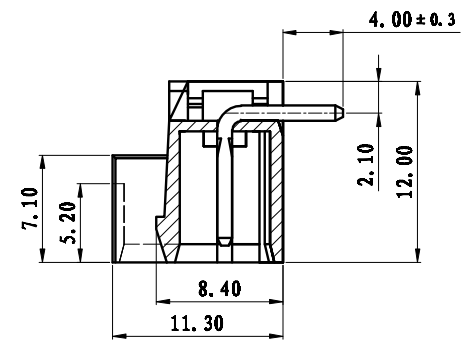
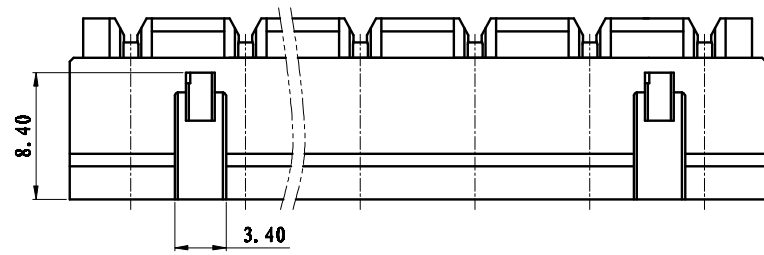


REVISION RECORD			
REV.	CONTENT	MOD.	DATE
▲	初版发行		



NOTES:
 Pitch : 7.62mm
 Rated Voltage : 300 V
 Rated Current : 15 A
 Withstand Voltage :
 AC2500V for 1 minute
 Insulation Resistance :
 500MΩ / DC500V
 Using Temperature Range :
 -40℃ ~ +105℃

技术要求:
 间距: 7.62mm
 额定电压: 300V
 额定电流: 15A
 耐电压值: AC2500V/min
 绝缘阻抗: 500MΩ/DC500V
 使用条件: -40℃~+105℃



	pitch dimension			Nominal dimension					— /
	over 0 to 6	over 6 to 10	over 10 to 24	over 0 to 30	over 30 to 60	over 60 to 100	over 100 to 150	0.05/10	
variable range	0 to 6	6 to 10	10 to 24	0 to 30	30 to 60	60 to 100	100 to 150	0.05/10	
Tolerance	±0.1	±0.15	±0.25	±0.2	±0.3	±0.5	±0.7	±1.0	

2	LZ1-5.08-弯针(1.3)	1015B0008AV	P	黄铜	镀雾锡
1	LSZ1B-7.62-主体	1102A0YXXAV	1	PA66	
NO.	NAME OF PART	NO. OF PART	QTY	MATERIAL	NOTES
DES.	LDD	DATE	2012/08/15	UNITS mm	THIRD ANGLE PROJECTION
CHK.		DATE		SIZE A4	1 of 1
APP.		DATE		SCALE 1:1	DWG NO. SP-2-1102002 RBV: V0
上海联捷电气有限公司 Shanghai Elinker Electric CO.,LTD				TITLE	LSZ1BR-7.62-XP-1Y-00A LSZ1BR-7.62-成品