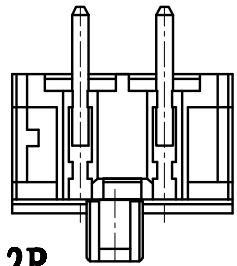
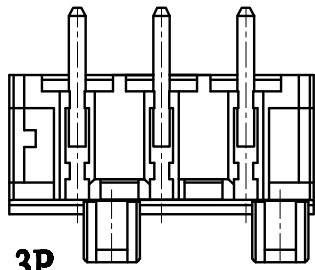


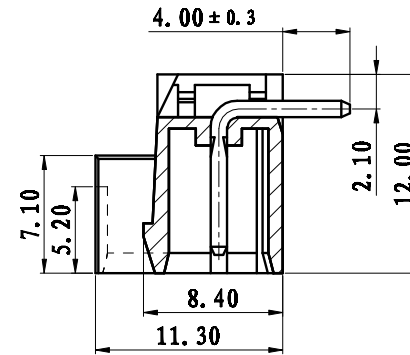
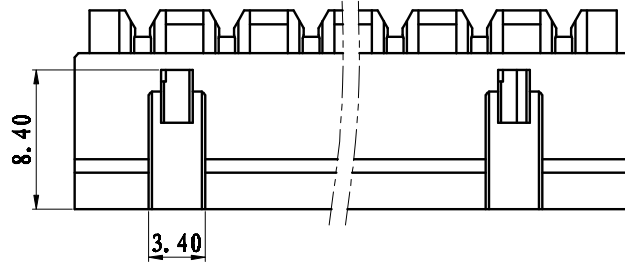
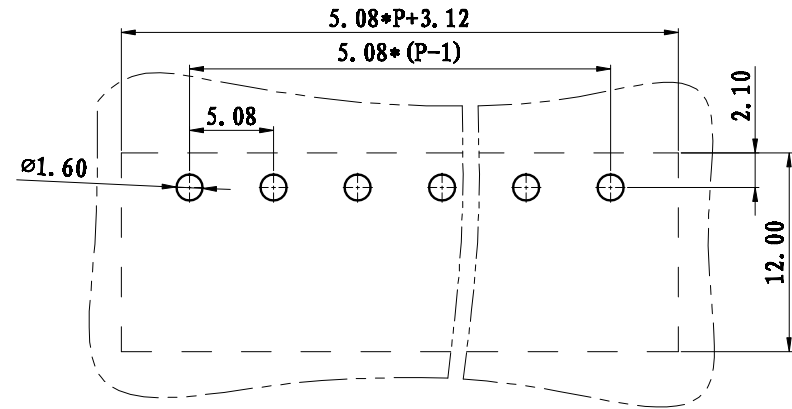
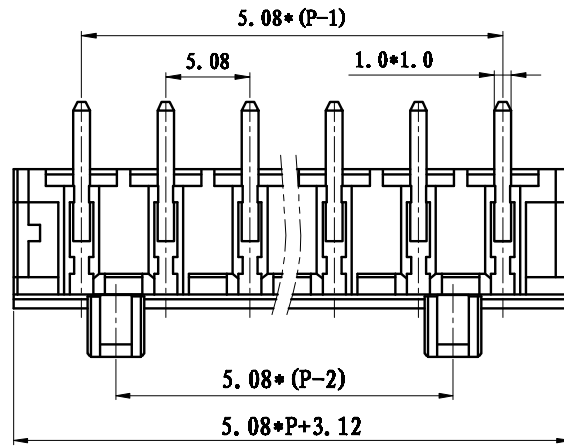
REVISION RECORD			
REV.	CONTENT	MOD.	DATE
△	初版发行		



2P



3P



NOTES:

Pitch: 5.08mm
 Rated Voltage: 300 V
 Rated Current: 15 A
 Withstand Voltage:
 AC2500V for 1 minute
 Insulation Resistance:
 500MΩ / DC500V
 Using Temperature Range:
 -40℃ ~ +105℃

技术要求:

间距: 5.08mm
 额定电压: 300V
 额定电流: 15A
 耐压值: AC2500V/min
 绝缘阻抗: 500MΩ/DC500V
 使用条件: -40℃~+105℃

	pitch dimension			Nominal dimension					—
	over	over	over	over	over	over	over	over	
variable	0	6	10	0	30	60	100	150	□
range	to	to	to	to	to	to	to	to	○
	6	10	24	30	60	100	150		
Tolerance	±0.1	±0.15	±0.25	±0.2	±0.3	±0.5	±0.7	±1.0	0.05/10

2	LSZ1-5.08-弯针(1.3)	1015B00061V	P	黄铜	镀雾锡
1	LSZ1B-5.08-主体	1060A0YXXAV	1	PA66-V0	
NO.	NAME OF PART	NO. OF PART	Q'TY	MATERIAL	NOTES
DES.	LDD	DATE	2012/08/15	UNITS	mm
CHK.		DATE		SIZE	A4
APP.		DATE		SCALE	
				DWG NO.	SP-2-1060002 KEY: V0
				TITLE	LSZ1BR-5.08-XP-1Y-00A
					LSZ1BR-5.08-成品

上海联捷电气有限公司
 Shanghai Elinker Electric CO.,LTD