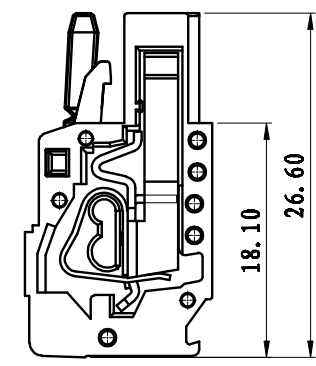
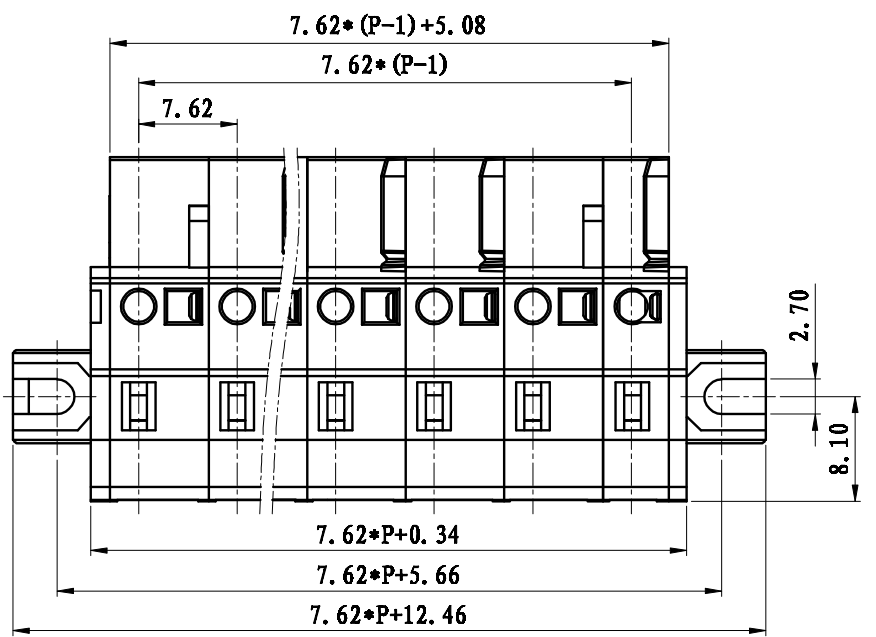
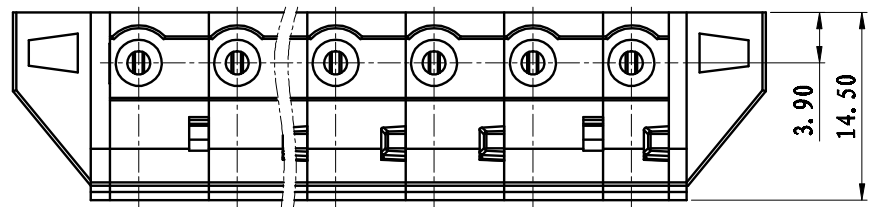


REVISION RECORD			
REV.	CONTENT	MOD.	DATE
△	初版发行		



NOTES:
 Pitch : 7.62mm
 Rated Voltage : 300 V
 Rated Current : 15 A
 Withstand Voltage : AC2500V for 1 minute
 Insulation Resistance : 500MΩ / DC500V
 Using Temperature Range : -40℃ ~ +105℃
 Wire range : 22~ 14AWG

技术要求:
 间距: 7.62mm
 额定电压: 300V
 额定电流: 15A
 耐电压值: AC2500V/min
 绝缘阻抗: 500MΩ/DC500V
 使用条件: -40℃~+105℃
 适用线规: 22~ 14AWG

	pitch dimension			Nominal dimension					—
	over 0	over 6	over 10	over 0	over 30	over 60	over 100	over 150	
variable range	to 6	to 10	to 24	to 30	to 60	to 100	to 150		▱
Tolerance	±0.1	±0.15	±0.25	±0.2	±0.3	±0.5	±0.7	±1.0	⌒

7	LSC1-夹子	1056B0001AY	P	磷青铜	镀镍
6	LSC1-弹片	P2A0DLSC1BY	P	不锈钢	
5	LSC1M-5.08-盖板2	1066C0Y01AY	1	PA66	
4	LSC1M-5.08-盖板1	1065C0Y01AY	1	PA66	
3	LSC1-7.62-中间件	1098A0Y01AY	P-3	PA66	
2	LSC1-5.08-中间件	1057A0Y01AY	1	PA66	
1	LSC1-7.62-边件1	1099A0Y01AY	2	PA66	
NO.	NAME OF PART	NO. OF PART	QTY	MATERIAL	NOTES
DES.	LDD	DATE	2012/08/15	UNITS	mm
CHK.		DATE		SIZE	A4
APP.		DATE		SCALE	1:1
				DWG NO.	SP-2-1099002
				REV:	V0
上海联捷电气有限公司 Shanghai Elinker Electric CO.,LTD				TITLE	
				LSC1M-7.62-XP-1Y-00A LSC1M-7.62-成品	