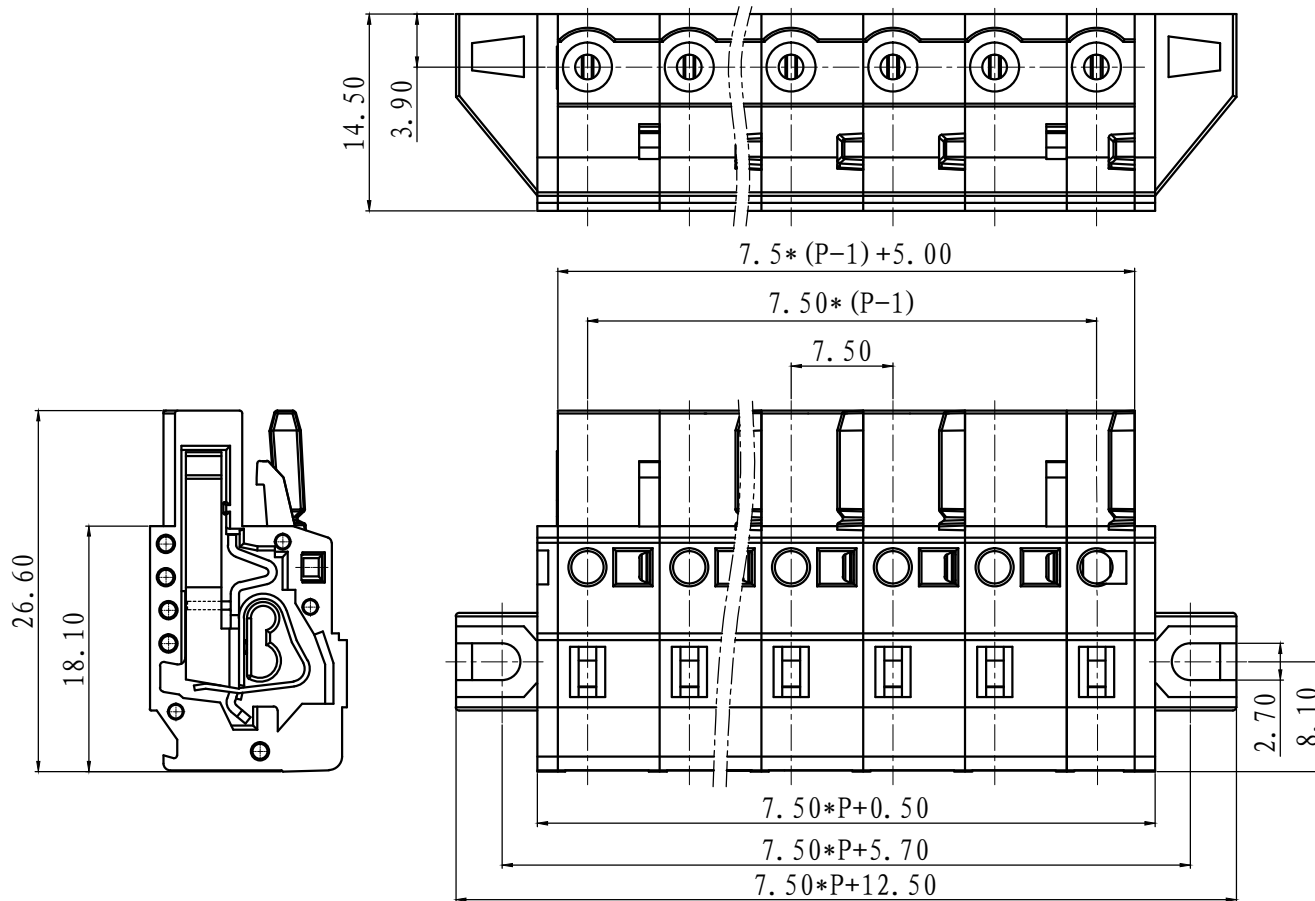


REVISION RECORD

REV.	CONTENT	MOD.	DATE
△	初版发行		



NOTES:

1. Voltage Rating: 300V, Current Rating: 15A
2. PITCH: 7.5mm
3. Insulation Withstands Voltage: AC2500V/min
4. Insulation Resistance: 500MΩ or more at DC500V
5. Using Temperature Range: -40℃ - +105℃
6. Suitable Electric Wire: 22-14AWG

技术要求:

1. 额定电压: 300V, 额定电流: 15A
2. 间距: 7.5mm
3. 耐电压值: AC 2500V/min
4. 绝缘阻抗: 500兆欧
5. 使用条件: -40℃ - +105℃
6. 适用线规: 22-14AWG

7	LSC1-夹子	1056B0001AV	P	磷青铜	镀镍
6	LSC1-弹片	F2A0DLSLC1BV	P	不锈钢	
5	LSC1M-5.08-盖板2	1066C0Y01AV	1	PA66	
4	LSC1M-5.08-盖板1	1065C0Y01AV	1	PA66	
3	LSC1-7.5-中间件	1090A0Y01AV	P-3	PA66	
2	LSC1-5.0-中间件	1074A1Y01AV	1	PA66	
1	LSC1-7.5-边件1	1089A0Y01AV	2	PA66	
NO.	NAME OF PART	NO. OF PART	Q'TY	MATERIAL	NOTES
DES.	LDD	DATE	2012/08/15	UNITS	mm
CHK.		DATE		SIZE	A4
APP.		DATE		SCALE	1:1
				DWG NO.	SP-2-1089002
				REV:	V0
				TITLE	LSC1M-7.5-成品

	pitch dimension			Nominal dimension					— /
	over 0	over 6	over 10	over 0	over 30	over 60	over 100	over 150	
variable range	to 6	to 10	to 24	to 30	to 60	to 100	to 150		
Tolerance	±0.1	±0.15	±0.25	±0.2	±0.3	±0.5	±0.7	±1.0	0.05/10