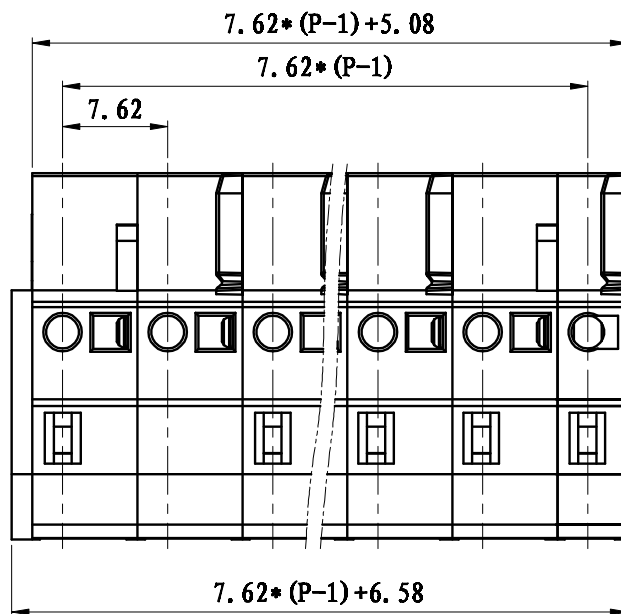
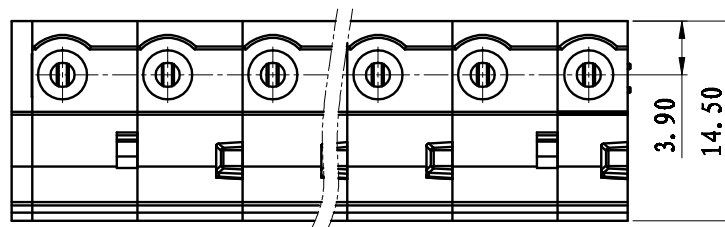
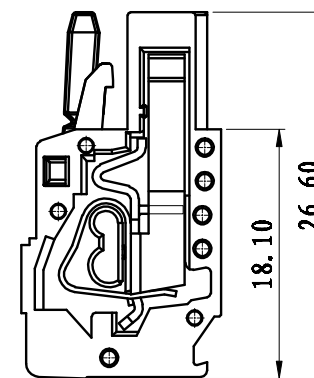


REVISION RECORD			
REV.	CONTENT	MOD.	DATE
↑	初版发行		



NOTES:
 Pitch : 7.62mm
 Rated Voltage : 300 V
 Rated Current : 15 A
 Withstand Voltage :
 AC2500V for 1 minute
 Insulation Resistance :
 500MΩ / DC500V
 Using Temperature Range :
 -40℃ ~ +105℃
 Wire range : 22~ 14AWG

技术要求:
 间距: 7.62mm
 额定电压: 300V
 额定电流: 15A
 耐电压值: AC2500V/min
 绝缘阻抗: 500MΩ/DC500V
 使用条件: -40℃~+105℃
 适用线规: 22~ 14AWG



	pitch dimension			Nominal dimension					— ▱ ⌒
	over	over	over	over	over	over	over	over	
variable	0	6	10	0	30	60	100	150	▱ ⌒
range	to	to	to	to	to	to	to	to	
	6	10	24	30	60	100	150		
Tolerance	±0.1	±0.15	±0.25	±0.2	±0.3	±0.5	±0.7	±1.0	0.05/10

6	LSC1-弹片	F2A0DLSLC1BV	P	不锈钢	
5	LSC1-夹子	1056B0001AV	P	磷青铜	镀镍
4	LSC1-5.08-盖板	1056C0Y01AV	1	PA66	
3	LSC1-7.62-中间件	1098A0Y01AV	P-3	PA66	
2	LSC1-5.08-中间件	1057A0Y01AV	1	PA66	
1	LSC1-7.62-边件1	1099A0Y01AV	2	PA66	

NO.	NAME OF PART	NO. OF PART	QTY	MATERIAL	NOTES
DES.	LDD	DATE	2012/08/15	UNITS	mm
CHK.		DATE		SIZE	A4
APP.		DATE		SCALE	1:1

上海联捷电气有限公司 Shanghai Elinker Electric CO.,LTD				TITLE	LSC1-7.62-XP-1Y-00A LSC1-7.62-成品
---	--	--	--	-------	-------------------------------------