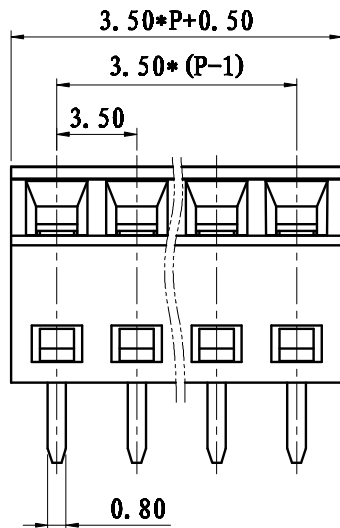
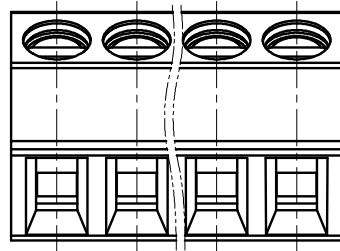
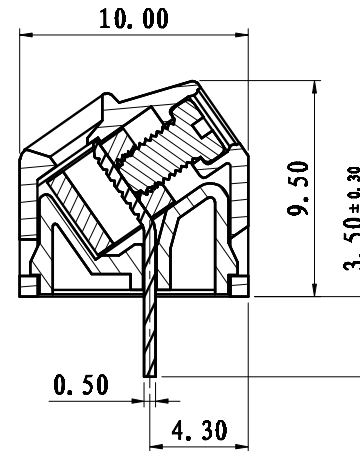


REVISION RECORD			
REV.	CONTENT	MOD.	DATE
①	初版发行		



NOTES:
 Pitch : 3.5mm
 Rated Voltage : 300V
 Rated Current : 10A
 Withstand Voltage :
 AC2500V for 1 minute
 Insulation Resistance :
 500MQ / DC500V
 Using Temperature Range :
 -40℃ ~ +105℃
 Wire range :26~16 AWG
 Screw Torque Value : 0.2Nm

技术要求:
 间距: 3.5mm
 额定电压: 300V
 额定电流: 10A
 耐电压值: AC2500V/min
 绝缘阻抗: 500MΩ/DC500V
 使用条件: -40℃~+105℃
 适用线规: 26~16 AWG
 螺丝扭矩: 0.2Nm



	pitch dimension			Nominal dimension					— ◇ ○
	over 0 to 6	over 6 to 10	over 10 to 24	over 0 to 30	over 30 to 60	over 60 to 100	over 100 to 150		
variable range									
Tolerance	±0.1	±0.15	±0.25	±0.2	±0.3	±0.5	±0.7	±1.0	0.05/10

5	LG350D-3.5焊脚	2056B00010V	P	黄铜	镀雾锡
4	LG381-螺丝	SPOYA203301V	P	碳钢	三价铬钝化彩锌
3	LG381-铜方块	F1A0BLG3813V	P	黄铜	镀锌
2	LG350D-3.5盖板	2056C0YXXAV	1	PA66	
1	LG350D-3.5本体	2056A0YXXAV	1	PA66	
NO.	NAME OF PART	NO. OF PART	QTY	MATERIAL	NOTES
DES.	LDD	DATE	2012/06/26	UNITS	mm
CHK.		DATE		SIZE	A4
APP.		DATE		SCALE	1:1
				DWG NO.	SP-2-2056001
				REV:	V0
 上海联捷电气有限公司 Shanghai Elinker Electric CO., LTD				TITLE	LG350D-3.5-XP-1Y-00A
					LG350D-3.5-成品