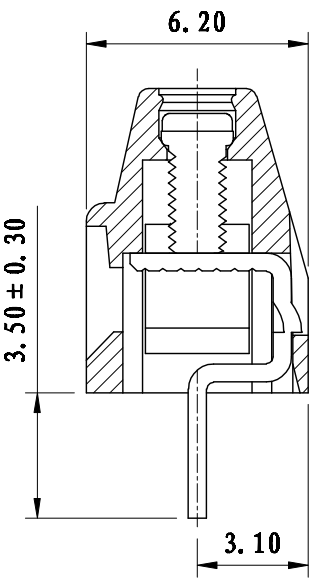
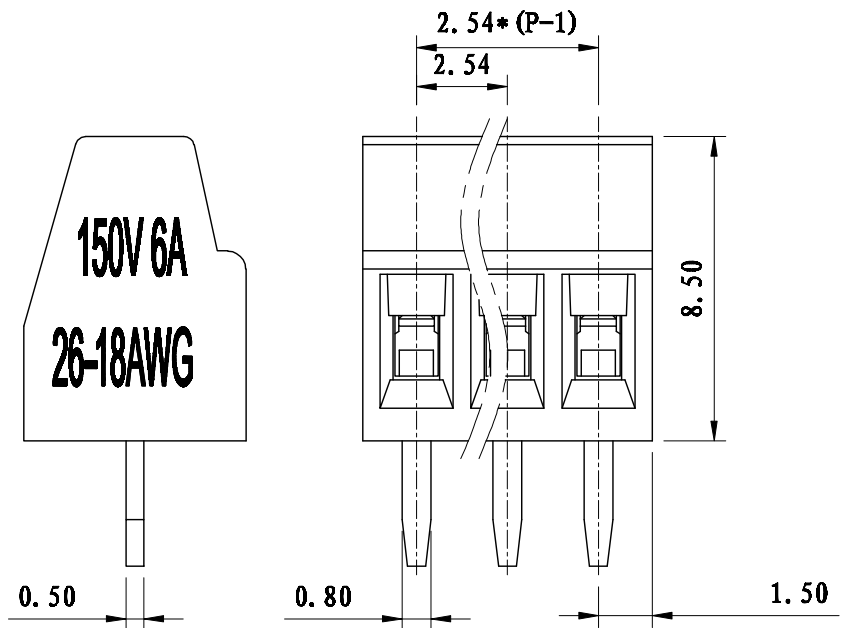
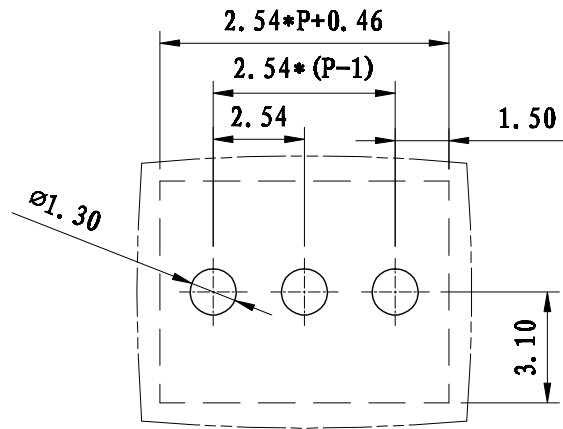
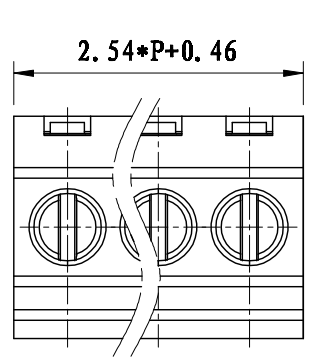


REVISION RECORD			
REV.	CONTENT	MOD.	DATE
①	初版发行		



NOTES:

1. Voltage Rating: 150V, Current Rating: 6A
2. PITCH: 2.54mm
3. Insulation Withstands Voltage: AC1250V/min
4. Insulation Resistance: 500MΩ or more at DC1000V
5. Using Temperature Range: -40° C - +105° C
6. Suitable Electric Wire: 26-18AWG
7. Screw Torque Value: 0.15 N.m

技术要求:

1. 额定电压: 150V, 额定电流: 6A
2. 间距: 2.54mm
3. 耐压值: AC 1250V/min
4. 绝缘电阻: 500兆欧
5. 使用条件: -40° - +105°
6. 适用线规: 26-18AWG
7. 螺丝扭力: 0.15 N.m

	pitch dimension			Nominal dimension					— /
	over 0	over 6	over 10	over 0	over 30	over 60	over 100	over 150	
variable range	to 6	to 10	to 24	to 30	to 60	to 100	to 150		▱ ○
Tolerance	±0.1	±0.15	±0.25	±0.2	±0.3	±0.5	±0.7	±1.0	0.05/10

4.	LG254V-焊脚	2004B0001AV	P	黄铜	镀镍锡	
3.	LG254-铜方法	F1A0BLG2543V	P	黄铜	镀镍	
2.	LG254-螺丝	SPOYA163001V	P	碳钢	三价铬钝化彩锌	
1.	LG254-2.54-本体	20640YXXAV	1	PA66-V0		
NO.	NAME OF PART		NO. OF PART	Q' TY	MATERIAL	NOTES
DES.	WL	DATE	19-01-09	UNITS	MM	THIRD ANGLE PROJECTION SHEET
CHK.		DATE		SIZE	A4	 1 of 1
APP.		DATE		SCALE	1:1	
<b>上海联捷电气有限公司</b> Shanghai Elinker Electric C.O,LTD					TITLE	LG254-2.54-XP-1Y-00A LG254-2.54-成品