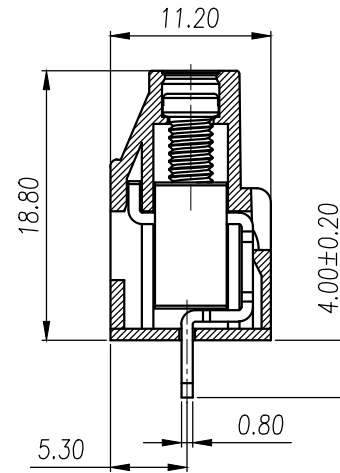
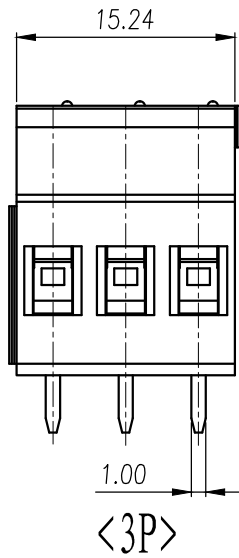
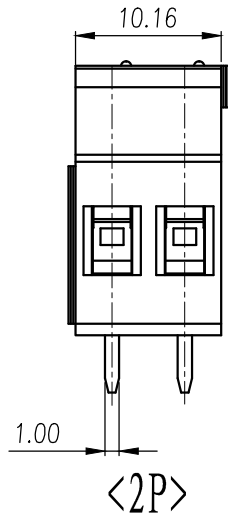
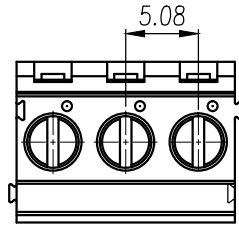
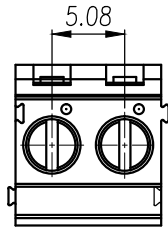


REVISION RECORD		
REV.	CONTENT	MOD.



NO.	NAME OF PART	NO. OF PART	Q'TY	MATERIAL	NO
DES.	DATE	UNITS	mm	SCALE	
CHK.					